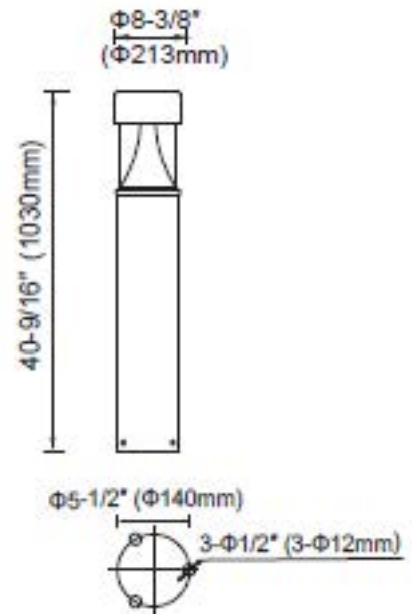


## SPECIFICATIONS AND FEATURES

### Street / Parking Lot Light

Product Type .....	Bollard
Manufacturer .....	uSaveLED
Model Number.....	USBLD25WYS-S2-D
Price .....	\$429.00
Voltage .....	90-277VAC / 347-480VAC Available
Wattage .....	25
Lumens .....	1,925
Lumens Per Watt .....	77
Beam Angle.....	150
Base Type / Connection .....	Direct Wired
Kelvin (CCT).....	3000/4000/5000
CRI .....	>70
Power Factor.....	>0.95
Life Span (Hours) .....	50,000+ (L70)
Dimmable.....	NO
Waterproof .....	YES (IP65)
Certifications.....	ETL, RoHS
Length of Warranty (YEARS).....	5yr
Dimensions .....	40.57" x 8.38"
Operating Temperature .....	-4°F to 113°F
Suggested Replacement For: .....	75W Metal Halide Fixture and Bulb
Percent of wattage saved from .....	66.67% average replacement*
(*excludes savings in labor, frequency of bulb changes, ballast, and HVAC savings)	
Notes.....	Black or Bronze Finish Available



Add some modern style to your office plaza, park, residential community and more with the Sleek modern bollard design featuring Extruded Aluminum Housing and Aluminum Reflector.