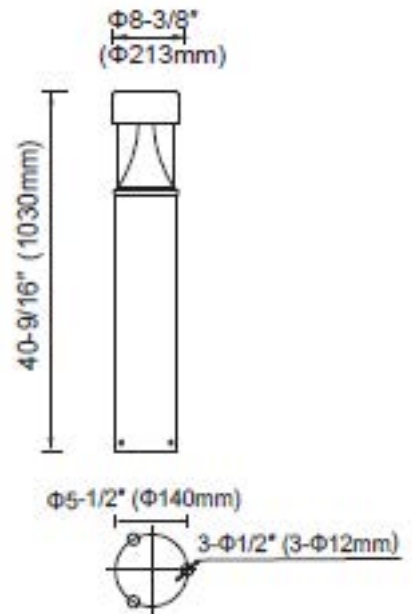


SPECIFICATIONS AND FEATURES

Street / Parking Lot Light

Product Type	Bollard
Manufacturer	uSaveLED
Model Number.....	USBLD60WYS-S2-D
Price	\$515.00
Voltage	90-277VAC / 347-480VAC Available
Wattage	60
Lumens	5,220
Lumens Per Watt	87
Beam Angle.....	150
Base Type / Connection	Direct Wired
Kelvin (CCT).....	3000/4000/5000
CRI	>70
Power Factor.....	>0.95
Life Span (Hours)	50,000+ (L70)
Dimmable.....	NO
Waterproof	YES (IP65)
Certifications.....	ETL, RoHS
Length of Warranty (YEARS).....	5yr
Dimensions	40.57" x 8.38"
Operating Temperature	-4°F to 113°F
Suggested Replacement For:	200W Metal Halide Fixture and Bulb
Percent of wattage saved from	70% average replacement*
(*excludes savings in labor, frequency of bulb changes, ballast, and HVAC savings)	
Notes.....	Black or Bronze Finish Available



Add some modern style to your office plaza, park, residential community and more with the Sleek modern bollard design featuring Extruded Aluminum Housing and Aluminum Reflector.