



COMMERCIAL LED EXPERTS



OVERVIEW

The USFLMxxWPL series Flood Lights are high performance LED luminaires with the options of various mounting available. With a low profile design this aesthetically pleasing luminaire provides improved illumination performance while reducing energy consumption.

APPLICATIONS

USFLMxxWPL is ideal for illuminating any open space application, including pathways, large common spaces, and parking lots.

Limited Warranty: 5 Years
 Efficacy: up to 135 LPW
 Lumen Output: 1,800 L 7,100 L
 Wattage: 15 W, 30 W, 50 W



Models

	Model	Watts(W)	Lumens (LM) @5K	Efficacy (LPW)
*Lumen Output based on universal voltage models at 5000K and 4000K.	USFLM15WPL	15	1,947	135
	USFLM30WPL	30	3,819	132
	USFLM50WPL	50	7,048	135
Also available in Color Temperatures of 5700K.	Model	Watts(W)	Lumens (LM) @4K	Efficacy (LPW)
	USFLM15WPL	15	1,883	135
	USFLM30WPL	30	3,738	132
	USFLM50WPL	50	6,844	131

Technical Specifications

Warranty

uSaveLED warrants these LED products will be free from defects in materials and workmanship for a period of five (5) years from the date of delivery to the end user, including coverage of light output, color stability, driver performance and fixture finish. Please refer to our full warranty.

Qualifications

UL Listed:
E473037

IESNA LM79 & LM-80 Testing:
LED luminaires have been tested by an independent laboratory in accordance with IESNA LM 79 and LM 80.

DLC Qualification:
Selected models of this product are on the Design Lights Consortium (DLC) Qualified Products List and are eligible for rebates from DLC Member Utilities. To view our DLC qualified products, please consult the DLC Qualified Products List at www.designlights.org/qpl

Construction

IP Rating:
Ingress Protection rating of IP65 for dust and water

Ambient Temperature:
Suitable for up to 113° F (45° C) ambient temperature

Cold Weather Starting:
The minimum starting temperature is 4° F (20° C)

Thermal Management:
Superior thermal management with external Air Flow fins.

Housing: Aluminum + PC + Steel

Lens: Polycarbonate

Mounting Methods:
Knuckle Mount Included
(optional) Trunnion Mount (for 30W and 50W only)
(optional) Flood Mount (for 30W and 50W only)

Green Technology:
Mercury and UV free, and RoHS compliant. Polyester powder coat finish formulated without the use of VOC or toxic heavy metals.

Finish:
Our environmentally friendly polyester powder coating are formulated from high durability and long lasting color, and contains no VOC or toxic heavy metals.

LED Characteristics

Lifespan:
100,000 hour LED lifespan based on IES LM 80 results and TM 21 calculations.

LEDs:
Multi chip, high output, long life LEDs

Color Stability:
LED color temperature is warranted to shift no more than 200K in CCT over a 5 year period.

Color Temp:
4000 K (neutral white), 5000 K (daylight), 5700 K

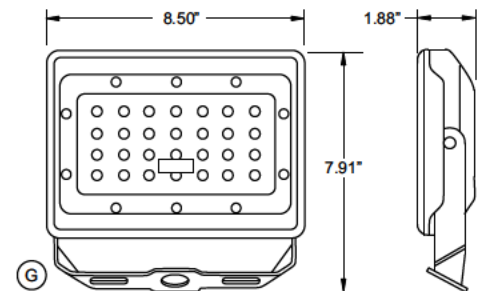
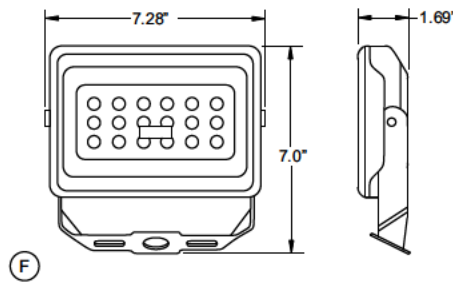
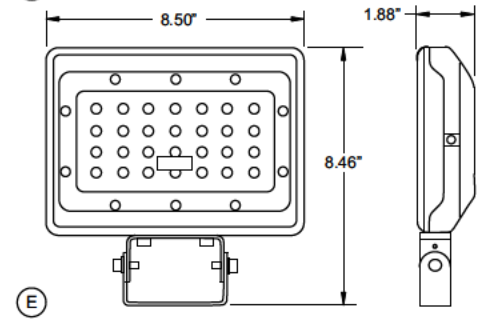
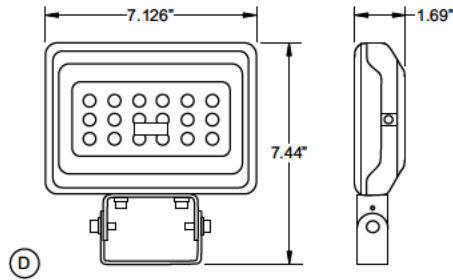
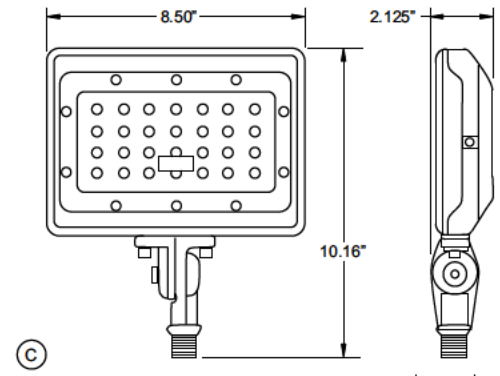
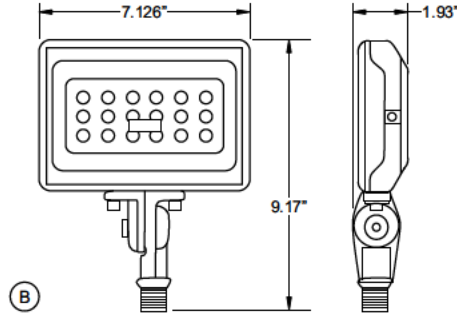
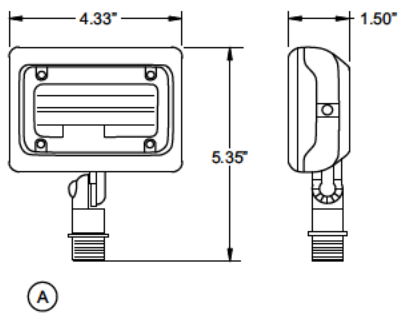
Color Uniformity:
Range of CCT follows the guidelines of the American National Standards for the Specifications for the Chromaticity of Solid State Lighting (SSL) Products, ANCI c78.377.2011

Color Rendering Index:
>70

Electrical

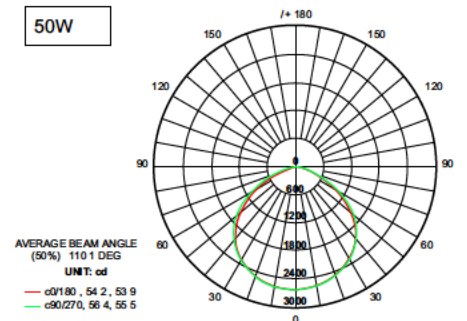
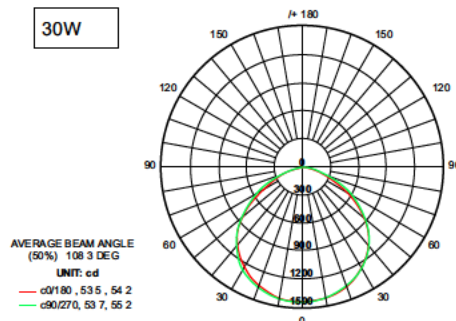
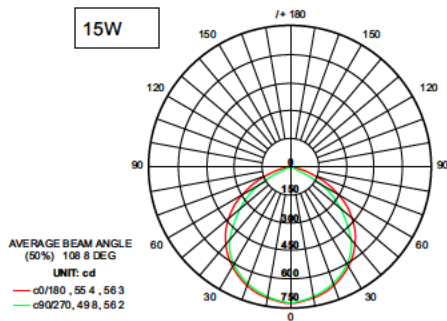
Drivers:
100 277V, 50 60 Hz
Power Factor > 0.90

Dimensions

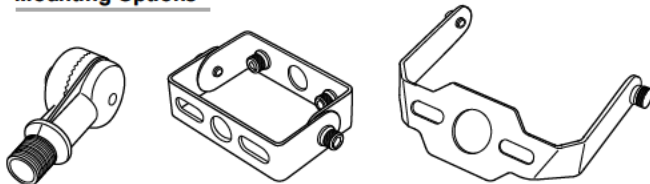


	Model	Mount
A	15W	Knuckle
B	30W	Knuckle
C	50W	Knuckle
D	30W	Trunnion
E	50W	Trunnion
F	30W	Flood
G	50W	Flood

Polar Candela Distribution



Mounting Options



Knuckle Mount
Included

Trunnion Mount
Optional for 30W and 50W

Flood Mount
Optional for 30W and 50W

Luminous Intensity

Model	10 ft. Distance		14 ft. Distance		17 ft. Distance	
	E avg [fc]	E max [fc]	E avg [fc]	E max [fc]	E avg [fc]	E max [fc]
15W	2.606	7.394	1.466	4.159	.9383	2.662
30W	5.022	14.82	2.825	8.339	1.808	5.337
50W	8.809	27.33	4.955	15.37	3.171	9.840