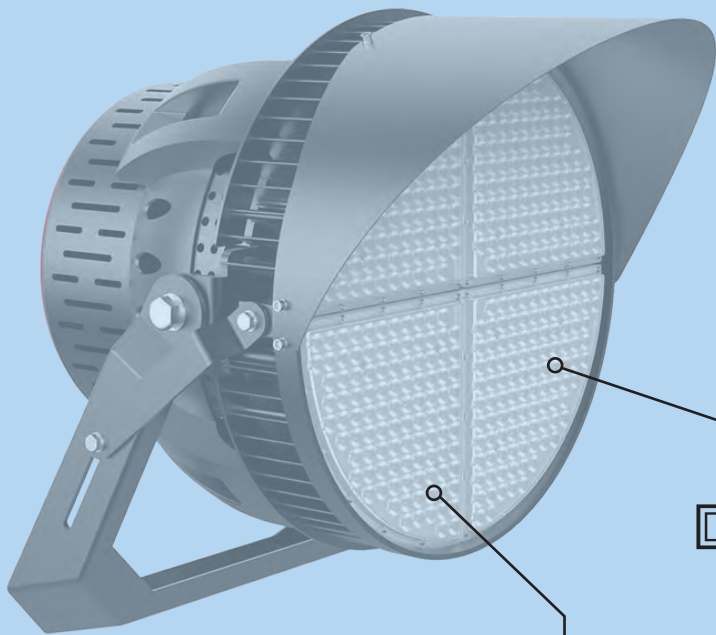


USFLRxxxWHD Stadium Flood Lights



THERMAL MANAGMENT

Seamless link of aerometal materials and numerous vents on heat sink improved heat management, keeps away from all field heat, ensures the stability of light system



CONTROL SYSTEM

Optimized for live broadcast system by wireless data transmission makes easily on color tuning and dim options, Real time monitoring are available on the working status and proformance of every fixtures, recognize potential problems.



EASY OF INSTALLATION

Adjustable beam angle, up to 240°



OPTICS

Product engineered by adopt seamless link of advanced Free-form optics and structure design, Optics designed with unique "multi scales lenses" to make uniform light distribution and glare-reducing. Advanced material makes maximization on light transmittance



SOLID STATE DESIGN

Unique "SSD" design, simply & Advance, No components are non-removable, ensures durability of led chip. All parts are individual, rugged and strong



SMALL ELECTRON GREAT POWER

Adoption advanced technology, photoelectric conversion in most efficient method, energy saving, and producing more lights out



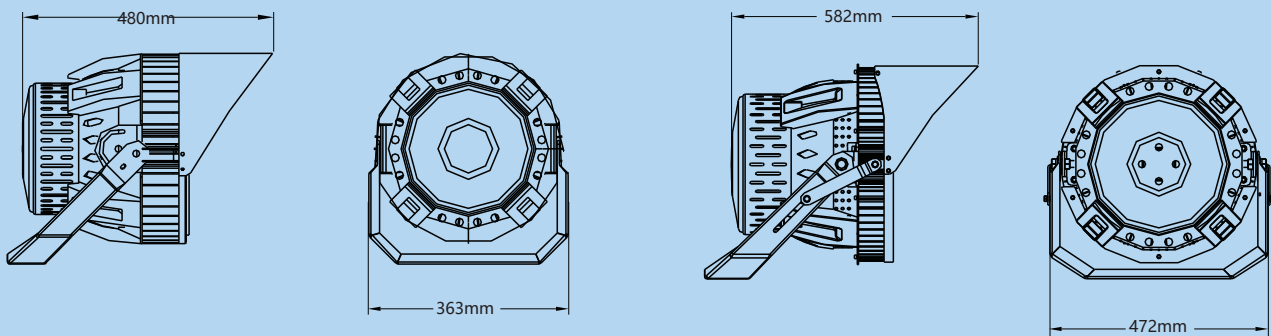
NO ELECTRICAL INTERFERENCE

State-of-the art circuit system woking perfect with other systems, Ultra-low EMI noise generation eliminating electrical interference

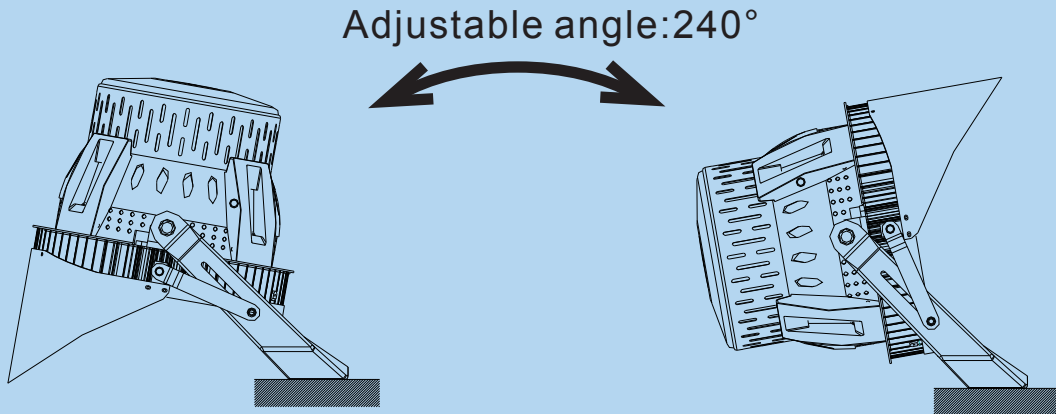
TECHNICAL PARAMETERS:

Model	USFLR300WHD	USFLR400WHD	USFLR500WHD	USFLR600WHD	USFLR750WHD	USFLR1000WHD	USFLR1250WHD
Lumen Output	39000Lm	52000Lm	65000Lm	78000Lm	97500Lm	130000Lm	156000Lm
CCT	3000K/4000K/5000K/5700K/6500K						
CRI	> 70 to >80						
Light source	Philips/Osram/Cree						
System Watts	300W	400W	500W	600W	750W	1000W	1250W
Dimensions(mm)	363x480mm	363x480mm	363x480mm	472x582mm	472x582mm	472x582mm	472x582mm
EPA Rating	1.60ft ²	1.60ft ²	1.60ft ²	2.29ft ²	2.29ft ²	2.29ft ²	2.29ft ²
Input Voltage	100-277V/240-480V						
Power Factor	0.95						
THD	<15%						
Input Protectin	10KV Current Surge (Optional)						
Driver	Meanwell HLG/HVG						
Operating Temp Range	-30°C to +50°C (-22°F to +122°F)						
IP/IK Ratings	IP66 / IK10						
Dimming control (Optional)	1-10V/DMX/DALI						
light Distribution Options	15°,20°,25°,40°,80°						
Cetification	ETL\CE\FCC\DLC\SAA						

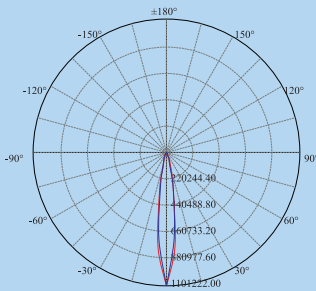
DIMENSIONS:



INSTALLATION:



PHOTOMETRIC DIAGRAMS:



NEMA 2		
Height	Mac FC	Beam Diameter
40 ft	721	20 ft
80 ft	180	41 ft
120 ft	80	61 ft
160 ft	46	82 ft
200 ft	30	102 ft
Beam Angle = 14.9 ° , Field Angle = 32 °		

NEMA 5		
Height	Mac FC	Beam Diameter
40 ft	91	67 ft
80 ft	21	134 ft
120 ft	9	201 ft
160 ft	6	268 ft
200 ft	4	336 ft
Beam Angle = 40 ° , Field Angle = 80 °		