

## LED High Bay with Bi-Level Sensor



Programmable Bi level Sensor Included  
 Efficacy: up to 155 LPW  
 Lumen Output: 7,000 40,000 LM  
 Wattage: 60 250 W

### OVERVIEW

USHBRSxxxWPL is designed to perform at a price that makes sense. Get quick payback with up to 80% reduction in maintenance and energy costs compared to conventional metal halide systems. All models comes standard with a Bi Level Dimming (step dimming) sensor for further energy reductions.

### APPLICATIONS

USHBRSxxxWPL is an efficient wet location high bay suitable for a variety of areas including warehouses, gyms, covered outdoor areas, garden centers, and mezzanines.



COMMERCIAL LED EXPERTS



Models	Watts(W)	Lumens (LM)	Efficacy (LPW)
USHBRS60WPL	60	7,664	134
USHBRS80WPL	80	11,989	155
USHBRS100WPL	100	15,219	154
USHBRS120WPL	120	18,167	153
USHBRS150WPL	150	23,356	152
USHBRS200WPL	200	32,264	155
USHBRS250WPL	250	39,320	155

\* Lumen output based on 5000K

## Technical Specifications

### Warranty

uSaveLED warrants these LED products will be free from defects in materials and workmanship for a period of five (5) years from the date of delivery to the end user, including coverage of light output, color stability, driver performance and fixture finish. Please refer to our full warranty.

### Qualifications

#### UL Listing

E473037

#### IESNA LM79 & LM-80 Testing

LED luminaires have been tested by an independent laboratory in accordance with IESNA LM 79 and LM 80.

#### DLC Qualification

Selected models of this product are on the Design Lights Consortium (DLC) Qualified Products List and are eligible for rebates from DLC Member Utilities. To view our DLC qualified products, please consult the DLC Qualified Products List at [www.designlights.org/qpl](http://www.designlights.org/qpl)

### Construction

#### IP Rating

Ingress Protection rating of IP65 for dust and water

#### Ambient Temperature

Suitable for up to 113° F (45° C) ambient temperature

#### Cold Weather Starting

The minimum starting temperature is 4 F° ( 20° C)

#### Housing

Die cast aluminum housing

#### Mounting Methods

Hook mount, Trunnion mount. (included)

Conduit (NPT 3/4) pendant mount. (optional)

### LED Characteristics

#### Lifespan

100,000 hour LED Lifespan based on IES LM 80 results and TM 21 calculations.

#### Color Temperature

3000K / 4000K / 5000K / 5700K

#### Color Rendering Index

CRI > 70

### Construction (continue)

#### Gaskets

Silicon Gaskets

#### Finish

Our environmentally friendly polyester powder coating are formulated from high durability and long lasting color, and contains no VOC or toxic heavy metals.

#### Lens

Polycarbonate. Optional Prismatic Acrylic Reflector

### Driver

Input Voltage AC100 277V, 50/60 Hz  
 or AC 200 480V, 50/60 Hz  
 (on 100 250W HV model)

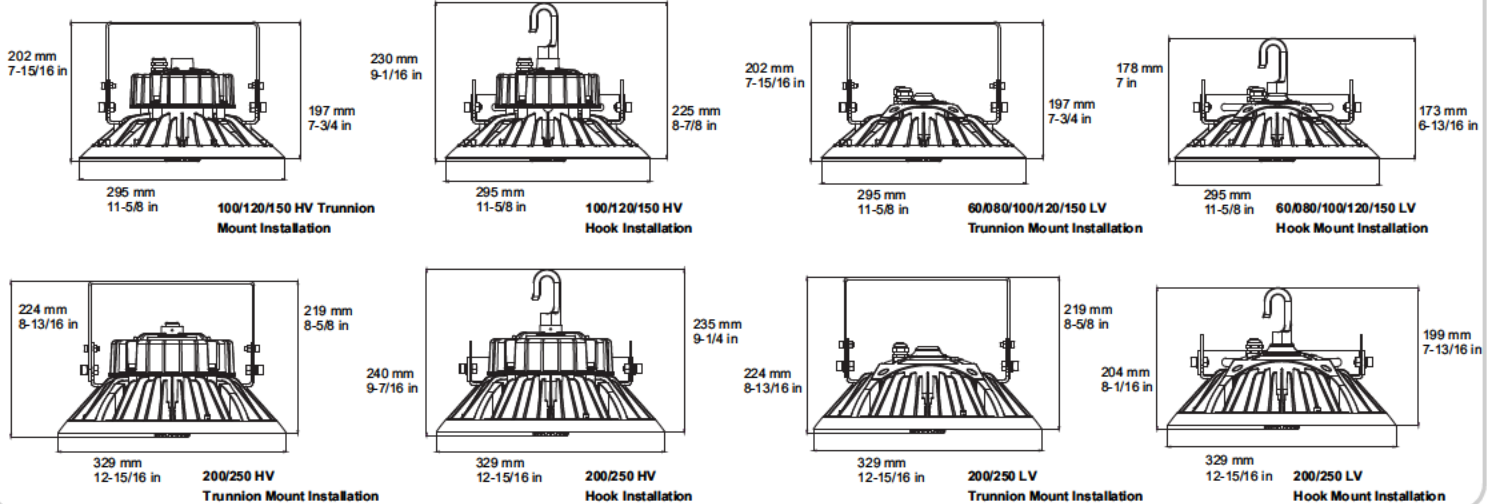
0-10v dimmable LED drivers provides smooth and continuous dimming.

Power Factor >0.9

Wattage 60w, 80w, 100w, 120w, 150w, 200w, 250w

# LED High Bay with Bi-Level Sensor

## Dimensions



## Performance

	60W			80W			100W		
<b>CCT</b>	3000K	4000K	5000K	3000K	4000K	5000K	4000K	5000K	5700K
<b>Lumens</b>	7422	7548	7664	11633	11811	11989	15038	15219	15400
<b>Efficacy (lm/W)</b>	130	132	133	150	152	155	152	154	156
<b>Color Accuracy (CRI)</b>	93	93	93	73	73	73	72	70	70
	120W			150W			200W		
<b>CCT</b>	4000K	5000K	5700K	4000K	5000K	5700K	4000K	5000K	5700K
<b>Lumens</b>	17952	18167	18382	23080	23357	23634	30894	31264	31635
<b>Efficacy (lm/W)</b>	151	153	155	152	152	152	154	155	157
<b>Color Accuracy (CRI)</b>	70	70	70	70	70	70	70	70	70
	250W			150W HV			250W HV		
<b>CCT</b>	4000K	5000K	5700K	4000K	5000K	5700K	4000K	5000K	5700K
<b>Lumens</b>	38847	39320	39778	22508	22845	23183	37146	37710	38275
<b>Efficacy (lm/W)</b>	153	155	156	153	155	157	152	155	157
<b>Color Accuracy (CRI)</b>	72	73	73	70	70	70	72	73	74

### Programmable Bi-Level Dimming Sensor - Standard



When the control senses movement, it raises the fixture's light level to 100% output and remains at full brightness as long as it senses movement. When movement is no longer detected, its internal timer begins counting. If the set period of time expires, the fixture will dim down to your selected dimming level (50%, 30%, 20% or 10% light output). Then, depending on your selected timer settings, the fixture can either remain at this dimmed level for a continuous amount of time, or, turn completely off after a set period of inactivity. Once the fixture senses movement, it will return to full output and the process begins again.

*Bi-Level sensor preset: 5 minutes hold time till dim to 30%, standby for another 10 minutes until completely turn-off. Wireless Programming Device sold separately.*

### Daylight Harvesting Sensor - (optional)



Daylight Harvesting Sensor is a control device that reduces electric light in building interiors when daylight is available, in order to reduce energy consumption. Daylight harvesting takes advantage of naturally available light, is a key energy-saving strategy for commercial spaces. The principle is simple: the electric lights in a space can automatically be dimmed down when enough natural light is entering the space. Target light level is adjustable.

*\* require conduit mount kit, but is not restricted to conduit mount installation (NPT 3/4 hook sold separately)*

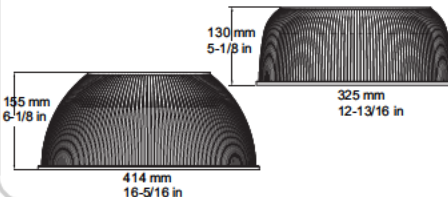
### Emergency Backup - (optional)



When there is a power outage, the emergency backup will power USHBRsxxxWPL to an reduced brightness for at least 90 mins. This self-tested device will perform a 30-second discharge test once a month and a full 90-minute discharge test once a year. If the unit detect any problems, the indicator will flash.

*\* wireless manual emergency test remote sold separately*

### 90° Prismatic Reflector (optional)



### Prismatic Drop Lens (optional)

