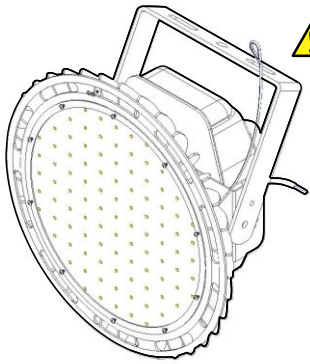
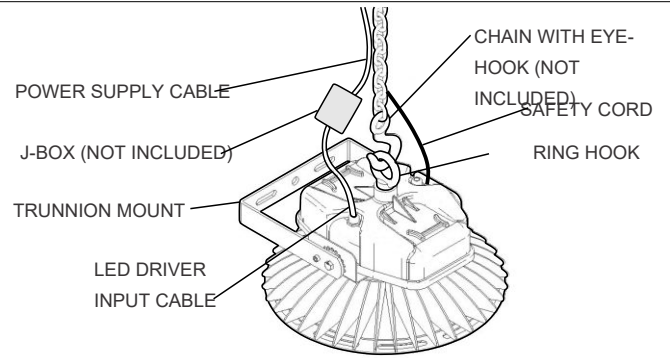


USHIBAYRxxxWPL (100W-240W) Series LED Highbays Installation Guide

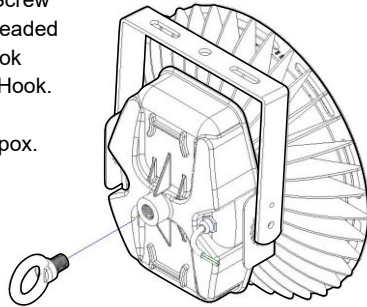


⚠ CAUTION: PLEASE FOLLOW THIS INSTRUCTION MANUAL CAREFULLY TO PREVENT ANY INJURIES OR COMPLICATIONS THAT MAY ARISE.
WARNING: Before installing or maintaining the luminaire, make sure all powers are **TURNED OFF**.
 Verify that the supply voltage is correct by comparing it with the label information on all fixtures. Make all connections in accordance with the NEC requirements, and make sure all luminaires are properly secured to prevent any wire complications. This luminaire is not to exceed the maximum ambient temperature rating noted on the specification sheet.

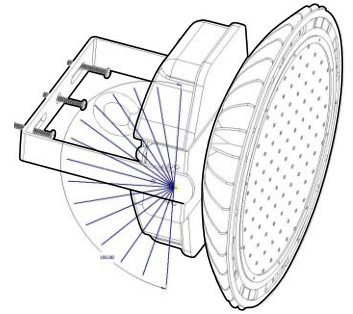


STANDARD INSTALLATION STEPS

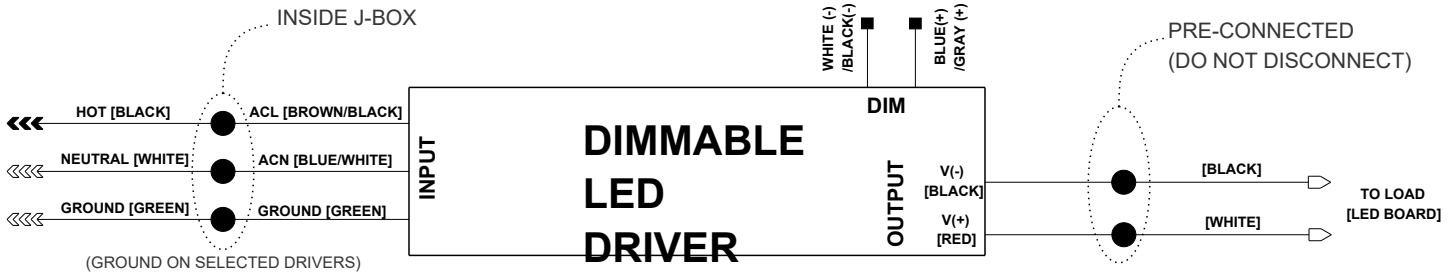
OPTION 1: The luminaires come with a ring hook which can be used to install into a Eye Hook (Not Included). Screw in the ring hook into the back Threaded hole in the fixture. Tighten the hook properly and mount it to the Eye Hook. Please note the ring hook has a thickness diameter of 20 mm (approx. 1/2" diameter).



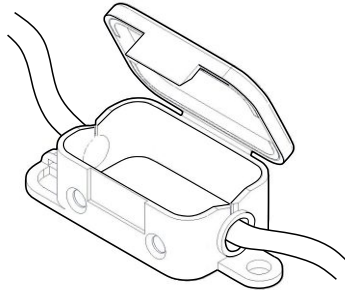
OPTION 2: The luminaires also come with a Trunnion Mount which can be used to surface mount the fixture in various positions covering an 180° spread. It has 3 openings which can be used to fasten the fixture onto a surface with bolts. (bolts not included)



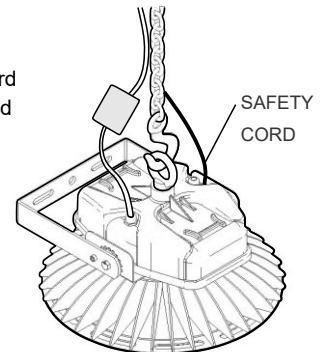
2. The Power Supply Cord should extend to approximately the same location as the Eye hook. The customer must also provide a junction box in order to connect the LED Driver Input to the AC Power Supply cable. Follow the Wiring Diagram.



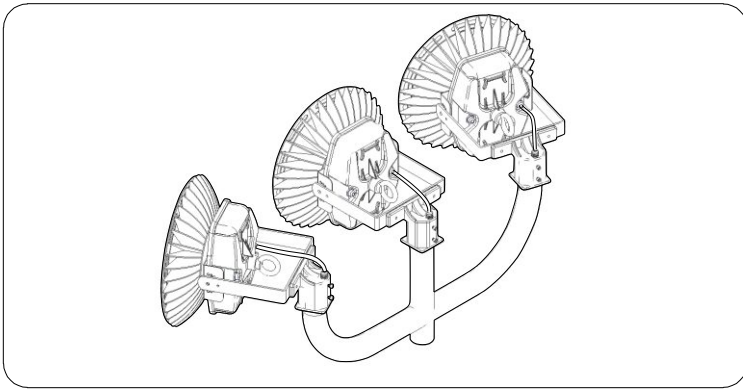
3. All wiring connections must be made inside a Junction Box. Make sure to choose the correct junction box for the desired application. Some junction boxes are made for outdoor applications and others are made for indoor applications.



4. All fixtures also come with a Safety Cord used as an extra precaution to prevent any accidents. The Safety Cord is pre-installed in the fixture and should be able to be connected to the chain which is firmly installed to the ceiling.

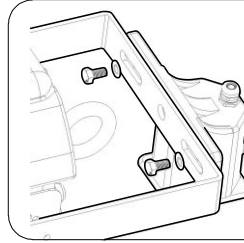


USHIBAYRxxxWPL (100W-240W) Series LED Highbays Installation Guide

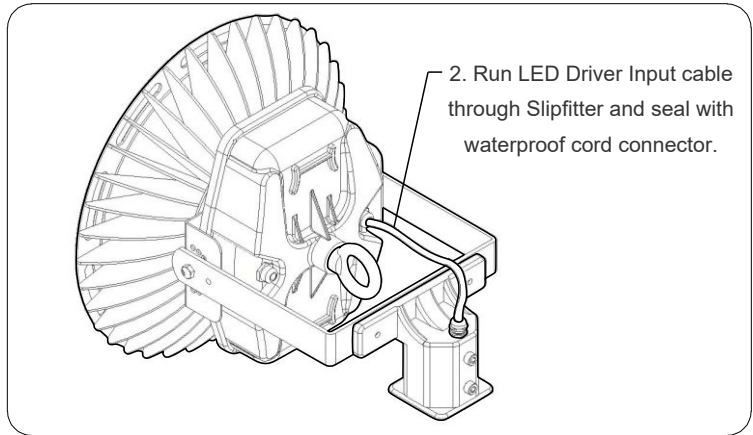
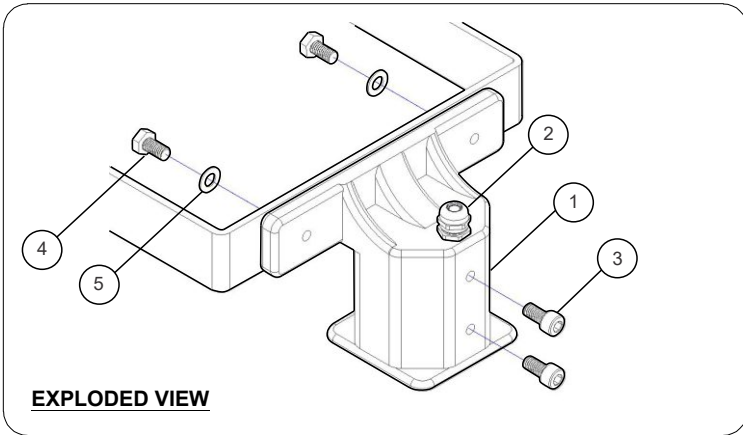



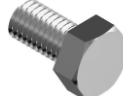



SLIPFITTER MOUNT, SLIP-FITS OVER A 2" POLE OR TENON (2.375" O.D.)

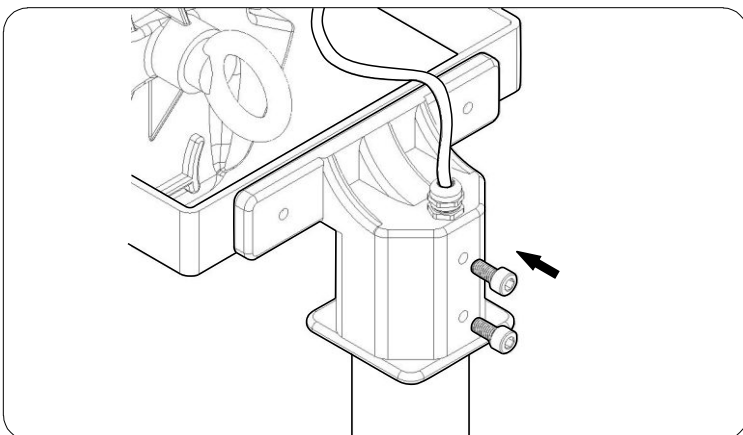
INSTALLATION STEPS



1. Loosen the (2) M8-1.25 Hex Head Bolts from the ACFLSF Slipfitter mount. Align the ACFLSF Slipfitter to the fixture handle and fasten the two pieces together using the [2] Hex Head Bolts and washers.



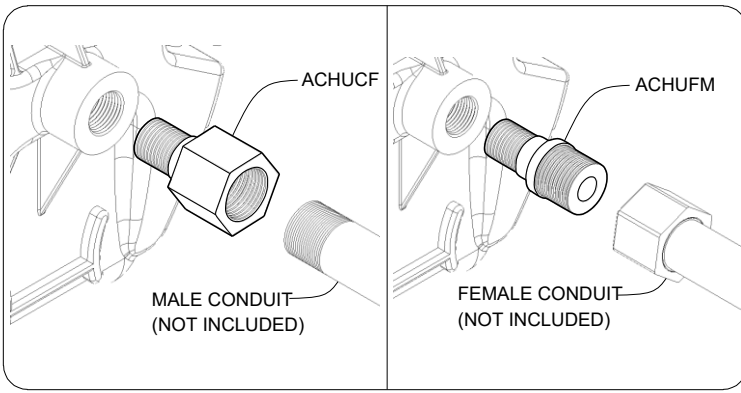
PART NO.	DESCRIPTION	QTY	PART NO.	DESCRIPTION	QTY
1	 ACFLSF- Slipfitter Mount, Slip-fits over a 2" pole or tenon (2.375" O.D.)	1	4	 10-00046- M8-1.25 x 15 mm Hex Head Machine Bolt	2
2	 10-00047- Waterproof Cable Gland	1	5	 10-00040- Washer for M8-1.25 Bolt	2
3	 10-00028- M8-1.25 x 16 mm Socket Head Machine Bolt	2			



3. The hole on top of the Slipfitter is used to mount a waterproof cable gland. This is used to get the LED Driver Input cable from the luminaire into the slipfitter.

4. The Slipfitter should be mounted onto a hollow round 2" part with AC Power cords running inside of it. Make sure all powers are off. Follow the wiring diagram provided in order to install the luminaire to the AC Power Supply.

USHIBAYRxxxWPL (100W-240W) Series LED Highbays Installation Guide



PENDANT MOUNT ADAPTOR FOR NPT 3/4" CONDUIT, FEMALE (/MALE)

PART NO.	IMAGE	DESCRIPTION	QTY
ACHUCF		Pendant mount adaptor for NPT3/4" conduit, Female	*1
ACHUFM		Pendant mount adaptor for NPT3/4" conduit, Male	*1

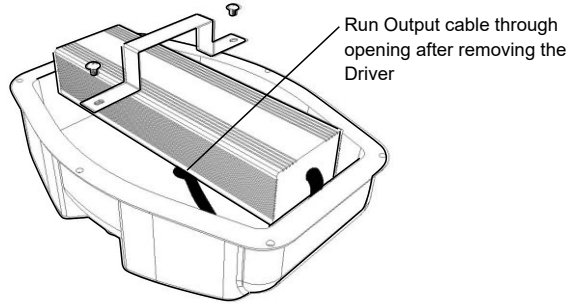
*This Installation Sheet applies to either the ACHUCF **OR** the ACHUCM. Not Both

INSTALLATION STEPS

1. Using a 5mm Allen wrench, Remove the (6) M6-1.0 x 14 mm Socket Head Screws from the back of the fixture. Remove the back housing from the light fixture in order to have access to the LED Driver cables.

2. When the back housing is removed, the electrician will be able to see the LED Driver connected to the LED Board. This cable to be left alone. There should also be an Input Cable connected to the LED DRIVER connected with a Splicing Connector. Unclip the wires of the LED Driver from the Splicing Connector.

3. Using a #2 Phillips screw driver, remove the (2) M4-07 x 6 mm Low Profile Pan Head Machine screws from the LED Driver Locking Strip. This will give you access to the opening in back of the housing in order to run the cables from the LED Driver Input through the opening.



(IF CUSTOMER IS INSTALLING THE **ACHUCF**)

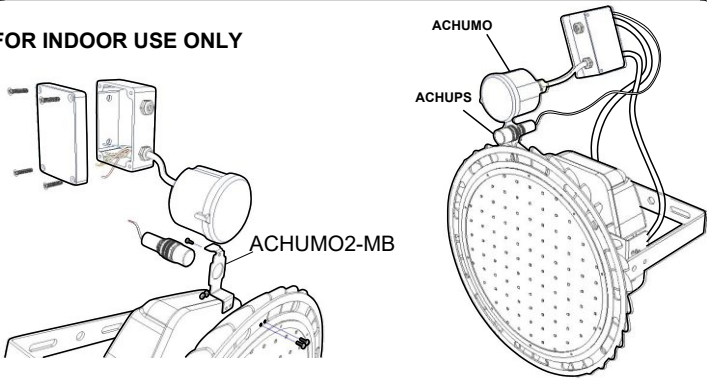
(IF CUSTOMER IS INSTALLING THE **ACHUCM**)

4A. Once the cable is running outside the center opening, the electrician can now screw in the **ACHUCF** adaptor and the cables are able to be connected to a power outlet conduit.

4B. Once the cable is running outside the center opening, the electrician can now screw in the **ACHUCM** adaptor and the cables are able to be connected to a power outlet conduit.

USHIBAYRxxxWPL (100W-240W) Series LED Highbays Installation Guide

FOR INDOOR USE ONLY



- 1) Remove the two [2] #4-40 PHMS from the ACHUMO-MB bracket of the ACHUMO and remove the small phillips screw from underneath the sensor in order to replace the ACHUMO bracket with the ACHUMO2-MB . Using a Phillips screw driver (preferable with a magnetic tip), Fasten the bracket onto the luminaire and use the hexnuts provided to lock it in place.
- 2) Remove the ACHUPS sensor from the ACHUPS-MB, and install the sensor to the ACHUMO2-MB. Make sure the orientation of the sensor is the same as the day harvesting detector.
- 3) Use the Wire Diagram provided for the required connections. Make sure all wiring connections are made inside the J-Box provided and are properly sealed by an authorized electrician.
- 4) Refer to the Individual installation sheets for the ACHUMO and the ACHUPS for adjusting the settings on the Microwave sensor and the Daylight Harvesting Detector.

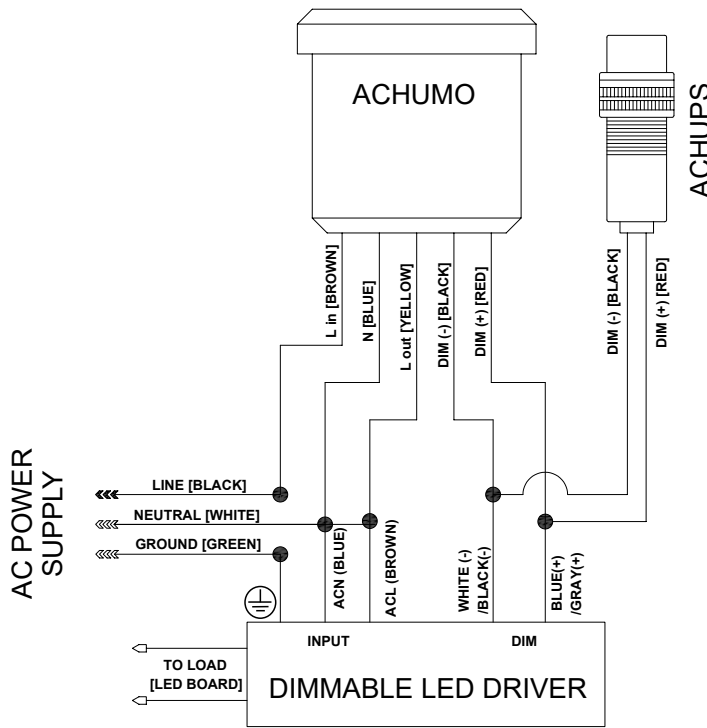
MICROWAVE OCCUPANCY DETECTION & DAYLIGHT HARVESTING SENSOR

PART NO.	IMAGE	DESCRIPTION	QTY
ACHUPS		Photocell/Daylight harvesting Sensor, 1-10Vdc Dim down/up according to ambient brightness level, target light level adjustable. Ip20 rated.	1
ACHUMO		Microwave occupancy sensor with J-Box	1
ACHUMO2-MB		Mounting Bracket for the ACHUMO Microwave Sensor and ACHUPS Daylight Harvesting Sensor	1
10-00033		#4-40 Pan Head Machine Screw	2
10-00033		#4-40 Hex Nut	2



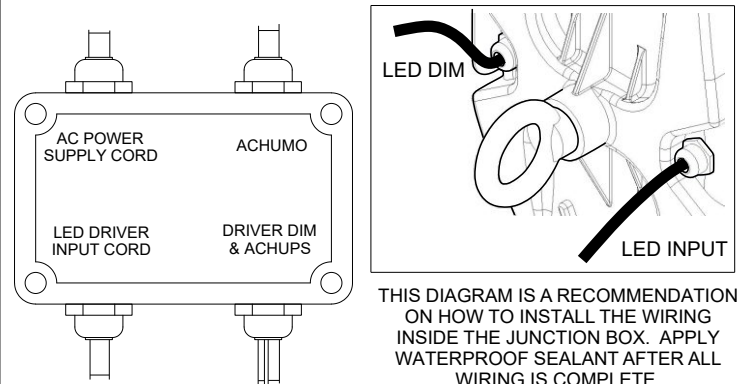
CAUTION: PLEASE FOLLOW THIS INSTRUCTION MANUAL CAREFULLY TO PREVENT ANY INJURIES OR COMPLICATIONS THAT MAY ARISE.

WARNING: Before installing or maintaining the luminaire, make sure all powers are **TURNED OFF**. Verify that the supply voltage is correct by comparing it with the label information on all fixtures. Make all connections in accordance with the NEC requirements, and make sure all luminaires are properly secured to prevent any wire complications. This luminaire is not to exceed the maximum ambient temperature rating noted on the specification sheet.



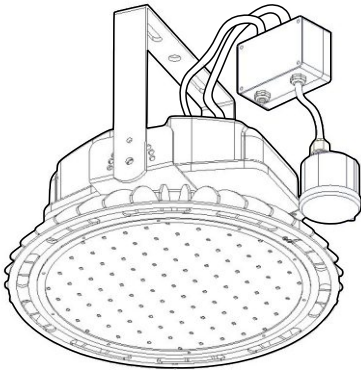
When ACHUMO microwave sensor works together with the ACHUPS daylight harvesting sensor, the lighting fixture will dim the light in response to the available daylight in the area when the area is being occupied.

When the customer orders the ACHUMO and the ACHUPS, a special mounting bracket will also be included (ACHUMO2-MB). This mounting bracket is specifically made to be able to mount both the sensor and occupancy detector simultaneously. Each luminaire already comes with two holes made specifically for this bracket.



THIS DIAGRAM IS A RECOMMENDATION ON HOW TO INSTALL THE WIRING INSIDE THE JUNCTION BOX. APPLY WATERPROOF SEALANT AFTER ALL WIRING IS COMPLETE.

USHIBAYRxxxWPL (100W-240W) Series LED Highbays Installation Guide

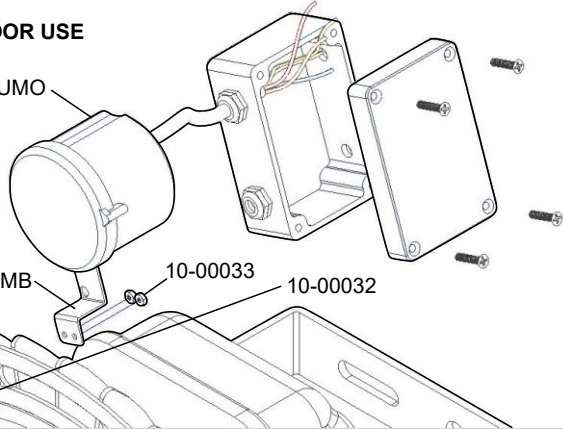


INSTALLATION STEPS

FOR INDOOR USE

ONLY ACHUMO

ACHUMO-MB 10-00033 10-00032



- 1) Remove the two [2] #4-40 PHMS from the mounting bracket. Using a Phillips screw driver, fasten the bracket onto the luminaire and use the hexnuts provided to lock it in place.
- 2) Refer to the wiring diagram provided to connect the ACHUMO to the Dimmable LED Driver. Try to aim the sensor toward the desired detectable area.
- 3) **Make sure all wiring connections are made inside the J-Box** provided and are properly sealed by an authorized electrician.
- 4) Remove the screw and cap of the sensor and adjust the DIP switches to get the desired settings. Sensor data can be precisely set for each specific application. Once the program is set, close and fasten the cap.



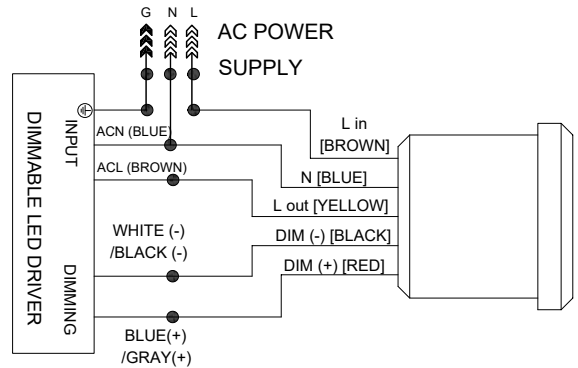
MICROWAVE OCCUPANCY DETECTION



CAUTION: PLEASE FOLLOW THIS INSTRUCTION MANUAL CAREFULLY TO PREVENT ANY INJURIES OR COMPLICATIONS THAT MAY ARISE.

WARNING: Before installing or maintaining the luminaire, make sure all powers are **TURNED OFF**. Verify that the supply voltage is correct by comparing it with the label information on all fixtures. Make all connections in accordance with the NEC requirements, and make sure all luminaires are properly secured to prevent any wire complications. This luminaire is not to exceed the maximum ambient temperature rating noted on the specification sheet.

PART NO.	IMAGE	DESCRIPTION	QTY
ACHUMO		Microwave occupancy sensor with J-Box	1
ACHUMO-MB		Mounting Bracket for the ACHUMO occupancy sensor	1
10-00032		#4-40 Pan Head Machine Screw	2
10-00033		#4-40 Hex Nut	2



ON		1	
	I	ON	100%
	II	-	50%

ON		2	3	4	
	I	ON	ON	ON	5 s
	II	-	ON	ON	30 s
	III	ON	-	ON	90 s
	IV	-	-	ON	3min
	V	ON	ON	-	20min
	VI	-	-	-	30min

ON		8	9	
	I	ON	ON	50%
	II	-	ON	30%
	III	ON	-	20%
	IV	-	-	10%

(1) DETECTION AREA

Detection area can be reduced by selecting the combination on the DIP switches to fit precisely each application

(2-4) HOLD TIME

Refer to the time period the lamp remains at 100% illumination after no motion detected

(8-9) STAND-BY DIMMING LEVEL

The low light level you would like to have after the hold time in the long absence of people

ON		5	6	7	
	I	ON	ON	ON	60m+
	II	-	ON	ON	60min
	III	ON	-	ON	30min
	IV	-	-	ON	10min
	V	ON	ON	-	5 min
	VI	-	-	-	5 s

(5-7) STAND-BY PERIOD

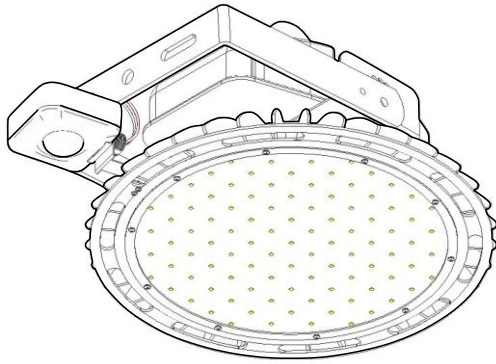
Refer to the time period the lamp remains at 100% illumination after no motion detected

ON		10	11	12	
	I	ON	ON	ON	Disable
	II	-	ON	-	20 lux
	III	ON	-	-	10 lux
	IV	-	-	-	5 lux

(10-12) DAYLIGHT SENSOR

The sensor can be set to only allow the lamp to illuminate below a defined ambient brightness threshold. When set to Disable mode, the daylight sensor will switch on the lamp when motion is detected regardless of ambient light level. Note that daylight sensor is active only when lamp totally switches off.

USHIBAYRxxxWPL (100W-240W) Series LED Highbays Installation Guide

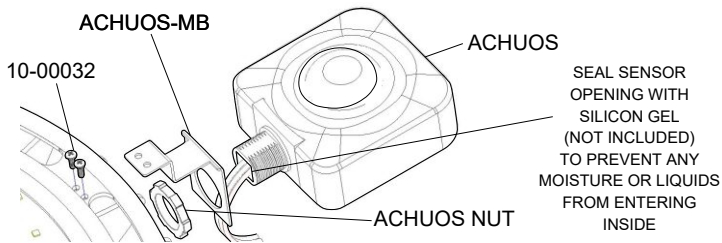


PIR OCCUPANCY DETECTION



CAUTION: PLEASE FOLLOW THIS INSTRUCTION MANUAL CAREFULLY TO PREVENT ANY INJURIES OR COMPLICATIONS THAT MAY ARISE.

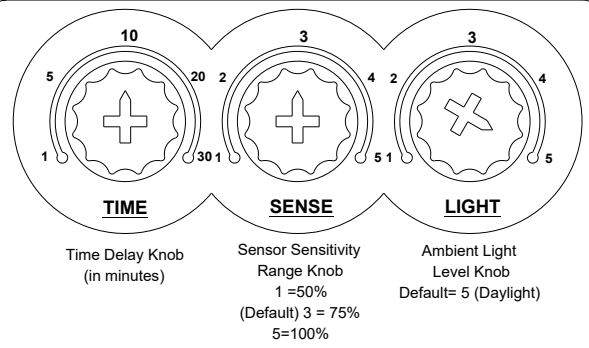
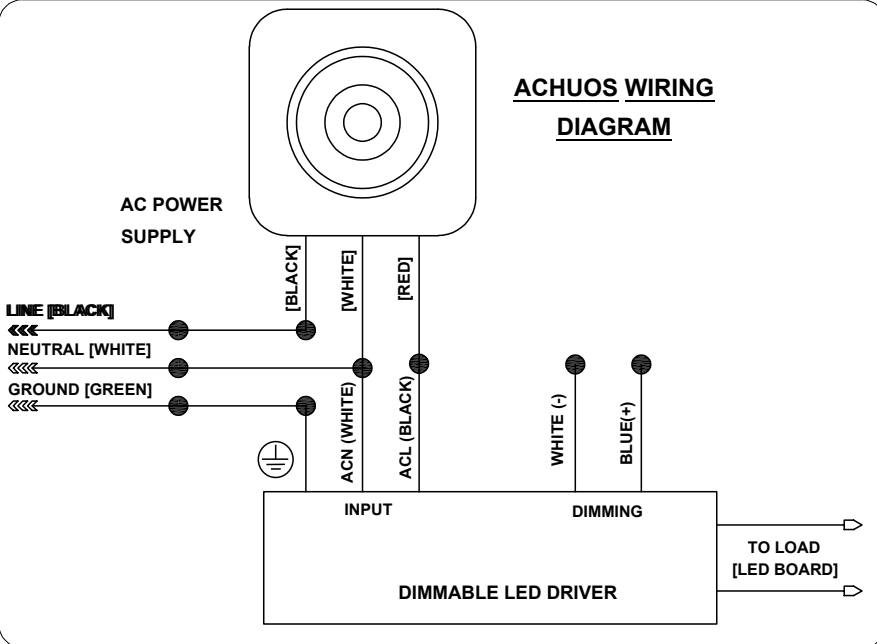
WARNING: Before installing or maintaining the luminaire, make sure all powers are **TURNED OFF**. Verify that the supply voltage is correct by comparing it with the label information on all fixtures. Make all connections in accordance with the NEC requirements, and make sure all luminaires are properly secured to prevent any wire complications. This luminaire is not to exceed the maximum ambient temperature rating noted on the specification sheet.



FOR INDOOR USE ONLY

PART NO.	IMAGE	DESCRIPTION	QTY
ACHUOS		Passive infrared occupancy sensor, 120-277v. Adjustable Timer and Sensitivity. Includes the ACHUOS NUT. Indoor Use Only	1
ACHUOS-MB		Mounting Bracket for the ACHUOS Photocell Sensor	1
10-00032		#4-40 Pan Head Machine Screw	2
10-00033		#4-40 Hex Nut	2

ACHUOS WIRING DIAGRAM



The ACHUOS comes with a black mounting bracket made specifically to be installed with the luminaire. Each luminaire already comes with two holes made specifically for this bracket.

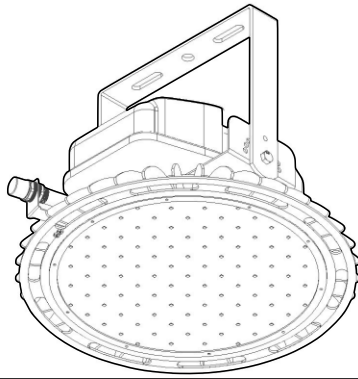
- 1) Make sure all Powers are **OFF**.
- 2) Remove the custom gear-shaped washer in order to remove the mounting bracket from the ACHUOS sensor. Be sure to not misplace any parts since they will all have to be used for later steps.
- 3) Remove the two [2] #4-40 PHMS from the mounting bracket. Using a Phillips screw driver (preferable with a magnetic tip), Fasten the bracket onto the luminaire and use the hexnuts provided to lock it in place.
- 4) Once the mounting bracket is fastened onto the fixture, one can now mount the sensor onto the bracket using the same custom gear-shaped washer.
- 5) Refer to the wiring diagram provided to connect the ACHUOS to the Dimmable LED Driver.
- 6) Make sure all wiring connections are made inside a J-Box and are properly sealed by an authorized electrician.
- 7) Seal the sensor opening to prevent any liquids from entering
- 8) Adjust the [3] knobs to get the desired setting.

DAYLIGHT HARVESTING SENSOR

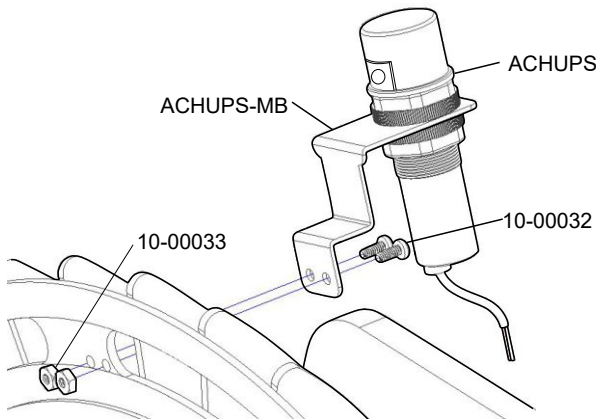


CAUTION: PLEASE FOLLOW THIS INSTRUCTION MANUAL CAREFULLY TO PREVENT ANY INJURIES OR COMPLICATIONS THAT MAY ARISE.

WARNING: Before installing or maintaining the luminaire, make sure all powers are **TURNED OFF**. Verify that the supply voltage is correct by comparing it with the label information on all fixtures. Make all connections in accordance with the NEC requirements, and make sure all luminaires are properly secured to prevent any wire complications. This luminaire is not to exceed the maximum ambient temperature rating noted on the specification sheet.

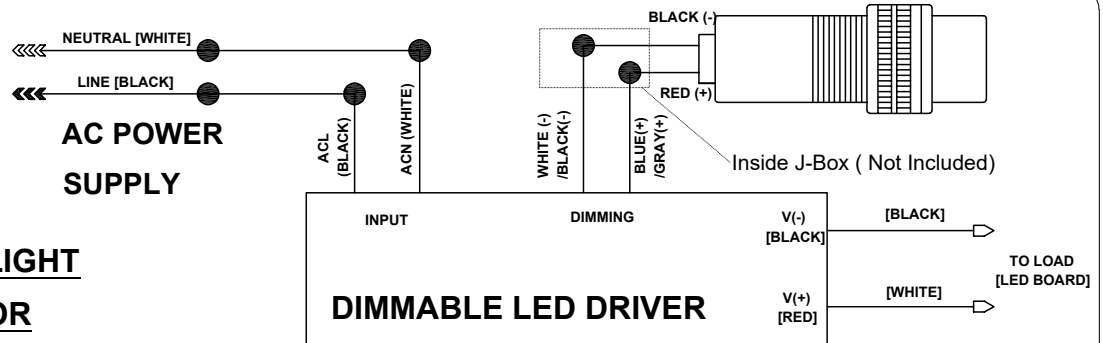


INSTALLATION STEPS



PART NO.	IMAGE	DESCRIPTION	QTY
ACHUPS		Photocell/Daylight harvesting Sensor, 1-10Vdc Dim down/up according to ambient brightness level, target light level adjustable. Ip20 rated.	1
ACHUPS-MB		Mounting Bracket for the ACHUPS Photocell Sensor	1
10-00032		#4-40 Pan Head Machine Screw	2
10-00033		#4-40 Hex Nut	2

CONNECTION TO (DAYLIGHT HARVESTING SENSOR ACHUPS)

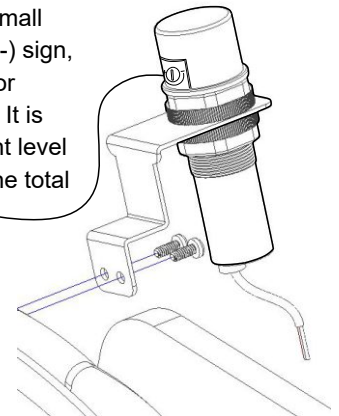


1) Remove the two [2] #4-40 PHMS from the mounting bracket. Using a Phillips screw driver (preferable with a magnetic tip), Fasten the bracket onto the luminaire (all fixtures have two small holes specifically made for the ACHUPS-MB bracket and use the hexnuts provided to lock it in place.

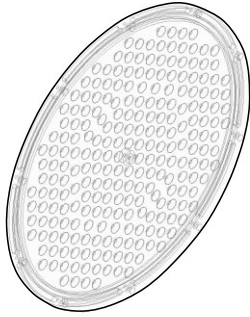
2) Refer to the wiring diagram to connect the ACHUPS to the Dimmable LED Driver.

3) Make sure all wiring connections are made inside a J-Box. Since the Daylight Harvesting Sensor is to only be used indoors. It must be an Indoor J-Box.

4) On the photocell, there is a small adjustable knob with a (+) and (-) sign, this knob is the Potentiometer for adjusting the light level desired. It is recommended for the target light level to be between 40% to 80% of the total lux of luminaires.



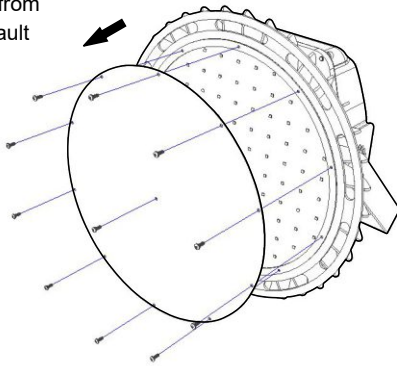
USHIBAYRxxxWPL (100W-240W) Series LED Highbays Installation Guide



**60 DEGREE LENS FOR USHIBAYR150WPL /
60 DEGREE LENS FOR USHIBAYR200WPL**

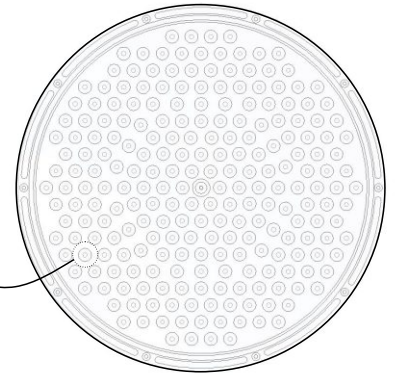
1. Using a #2 Phillips screw driver, remove the (11) M3-7.5 PHMS from the luminaire to remove the default lens.

2. Replace the default lens with the 60 Degree Lens.



⚠ WARNING:
**DO NOT TOUCH THE
LEDS!!!!**

2b) It is very important to make sure the domes on the lens are lined up with the LED pieces on the light fixture.



3. Fasten the (11) M3-7.5 PHMS into the luminaire to secure the lens in place.

