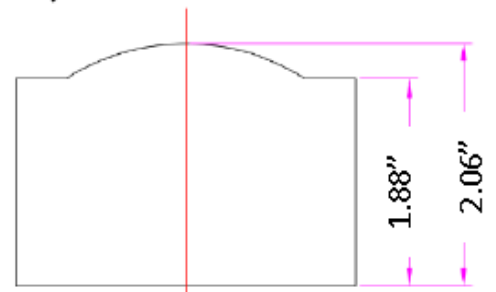
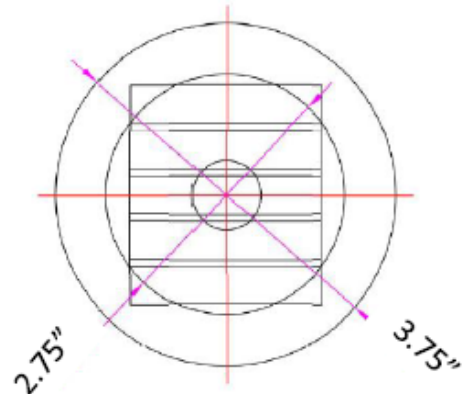


## SPECIFICATIONS AND FEATURES

### Solar In-Ground Light

Product Type .....	3" Round Solar Pathway Light
uSaveLED Model Number .....	USIG3SR
Price .....	\$149.00
Technology .....	Pseudocapacitor
Full Sun Charge Time .....	3 Hours
Overcast Charge Time .....	8 Hours
Discharge Time .....	Up to 16 Hours
Voltage/Bonding Requirements .....	2.3V/No Bonding
Snowplowable .....	No
Housing Material.....	Stainless Steel
Lens Material.....	Polycarbonate
Seal Rating.....	IP68
Compressive Strength.....	43,500N/9,788LBF
Operating Temperature .....	-40°F to +158°F
LED Direction .....	Single
Number of LEDs.....	5
Activation.....	Dusk to Dawn
Color Options.....	White, Red, Green, Blue, Yellow
Function Options.....	Steady, Slow Flash, Fast Flash
Warranty.....	3yr
Certifications.....	CE



Dimensions shown include SSSL SUS case

**This Wireless Solar Light offers years of maintenance free, cost free service and add ambience and safety to outdoor areas. Perfect for pathways, neighborhoods, shopping centers, courtyards, parks and much more.**

DISTRIBUTED BY:

