



COMMERCIAL LED EXPERTS



### OVERVIEW

The USLBGxxxWPL Series are LED garage light with lumen outputs ranging from 5,374 L to 13,336 L. The fixture is IP65 rated and is offered in various color temperatures, and optional motion sensor for more energy saving.

- Limited Warranty: 5 Years
- Efficacy: up to 133 LPW
- Lumen Output: 5,374 - 13,336 LM
- Wattage: 40 - 100 W



### APPLICATIONS

This light can be used for indoor or outdoor applications. Typically used for parking garage, gas stations, or warehouse applications.

### Models

Model	Watts(W)	Lumens (LM)	Efficacy (LPW)
USLBG40WPL	40	5,374	131.91
USLBG55WPL	55	7,423	132.84
USLBG75WPL	75	9,962	132.81
USLBG100WPL	100	13,336	131.52

\*Lumen Output based on universal voltage models at 5000K. Also available in Color Temperatures of 4000K, 4500K, and 5700K.

## Technical Specifications

### Warranty

uSaveLED warrants these LED products will be free from defects in materials and workmanship for a period of five (5) years from the date of delivery to the end user, including coverage of light output, color stability, driver performance and fixture finish. Please refer to our full warranty.

### Qualifications

#### UL Listed:

E473037 Suitable for Wet Locations

#### IESNA LM79 & LM-80 Testing:

LED luminaires have been tested by an independent laboratory in accordance with IESNA LM-79 and LM-80.

#### DLC Qualification:

Selected models of this product are on the Design Lights Consortium (DLC) Qualified Products List and are eligible for rebates from DLC Member Utilities.

To view our DLC qualified products, please consult the DLC Qualified Products List at [www.designlights.org/qpl](http://www.designlights.org/qpl)

### Construction

#### IP Rating:

Ingress Protection rating of IP65 for dust and water

#### Ambient Temperature:

Suitable for up to 113° F (45° C) ambient temperature

#### Cold Weather Starting:

The minimum starting temperature is -4° F / -20° C

#### Thermal Management:

Superior thermal management with external Air-Flow fins.

#### Housing:

White Aluminum

#### Mounting Methods:

3/4" Conduit Mount, Surface Mount,

(Optional) Suspended Mount

#### Green Technology:

Mercury and UV free, and RoHS compliant. Polyester powder coat finish formulated without the use of VOC or toxic heavy metals.

#### Gaskets:

Silicon Gaskets

#### Lens:

PC Drop Lens

#### Finish:

Our environmentally friendly polyester powder coating are formulated from high-durability and long-lasting color, and contains no VOC or toxic heavy metals.

### LED Characteristics

#### LEDs:

Multi-chip, high-output, long-life LEDs

#### Color Stability:

LED color temperature is warranted to shift no more than 200K in CCT over a 5 year period.

#### Color Temp:

4000 K ( Natural white), 4500K, 5000 K (Daylight), 5700 K

#### Color Uniformity:

Paclights range of CCT follows the guidelines of the American National Standards for the Specifications for the Chromaticity of Solid State Lighting (SSL) Products, ANCI c78.377.2011

#### Color Rendering Index:

>80

### Driver Info

Input Voltage: 100-277Vac, 50-60 Hz

0-10 V Dimmable Driver (for all models)

Power Factor: >0.9

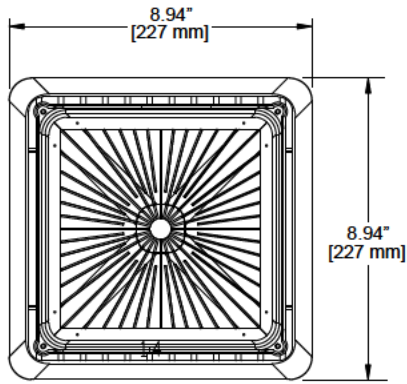
(HV option for FCPG040)

Input Voltage: 347-480Vac, 50-60 Hz

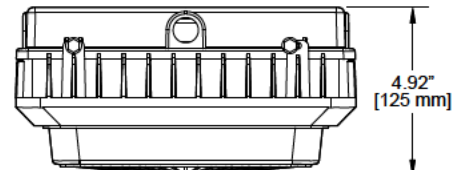
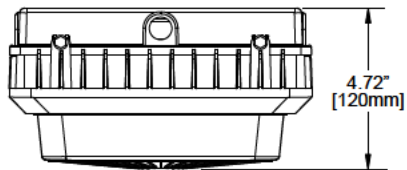
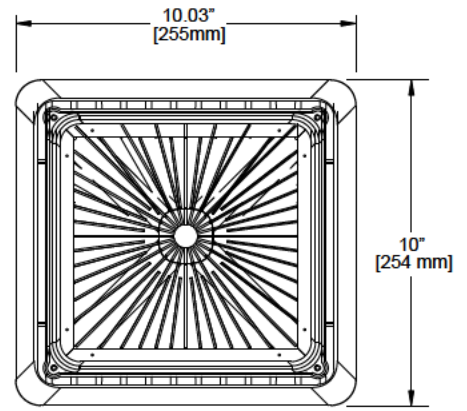
Power Factor: >0.9

## Dimensions

40W  
55W



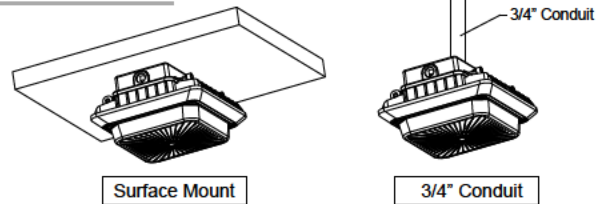
75W  
100W



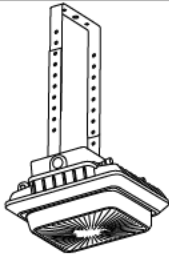
## Microwave Motion Sensor (Optional)

The Microwave Motion Sensor automatically dims the fixture when no motion is detected. It can also be set up to adjust the hold time, stand-by period, stand-by dimming level, and the daylight sensor. For more information, see installation guide.

## Mounting Options



## Suspended Mount Bracket (Optional)



The AC-CPG-SB Suspended Mount Bracket is a surface mount bracket used to adjust the FCPG fixture's mounting height instead of having the fixture directly surface mounted to a fixed position.

## Luminous Intensity Distribution

Model	10 ft High	14 ft High	17 ft High	20 ft High
USLBG40WPL	1.7/6.9	1.5/3.7	1.3/2.6	1.1/1.9
USLBG55WPL	2.4/9.3	2.0/5.0	1.8/3.5	1.5/2.6
USLBG75WPL	3.1/14.2	2.7/7.4	2.4/5.1	2.0/3.6
USLBG100WPL	4.1/18.2	3.6/9.5	3.1/6.4	2.7/4.7

\*E avg / E max [fc/ftc]

## Polar Candela Distribution

