

LED GARAGE CANOPY LIGHT

APPLICATION

- Premium Square Garage Light with low-glare illumination and high-energy efficiency.
- These Canopy Garage Light are low-profile fixtures with high-design elements. This series was designed with performance and aesthetics in mind for an excellent value.

PERFORMANCE

- Lumens Per Watt(LPW): Up to 130lm/w
- Advanced garage optic designed for throwing light in the right places

DURABLE

- Silver industrial grade powder coat finish
- IP65 rated ready for tough environments

OPTIONS FOR EVERY GARAGE

- Beauty plate retrofitting incumbent technology
- Glare shield for reducing motorists glare
- Integrated Smart occupancy sensor

RECOMMENDED USE

- Parking garages
- Security and perimeter lighting
- Exterior canopies

CERTIFICATIONS/LISTINGS



up to 130lm/w

USLBxxWIDAOK SERIES



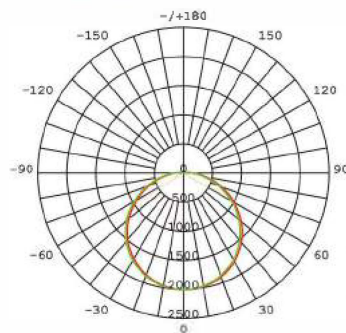
up to 130lm/w

USLBxxWIDAOK-R SERIES



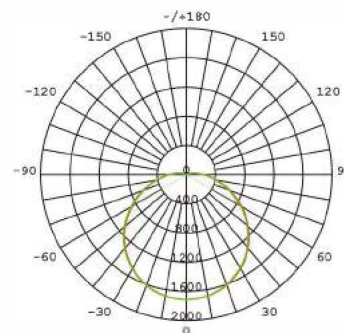
Fixture Specifications	
HOUSING	Silver Powder Coated Aluminum Gray polyester
LENS ASSEMBLY	UV-stabilized acrylic polymer with polycarbonate lens with precision individual optics for uniform illumination
MOUNTING	Intended to be surface mounted or pendant mounted for use with conduit or pipe having 1/2" NPT thread

PHOTOMETRY



AVERAGE BEAM ANGLE
(50%): 117.4 DEG
USLBxxWIDAOK

UNIT:cd
 — C0/180 lc:2005
 57.3,60.1
 — C90/270 lc:2005
 59.1,58.2

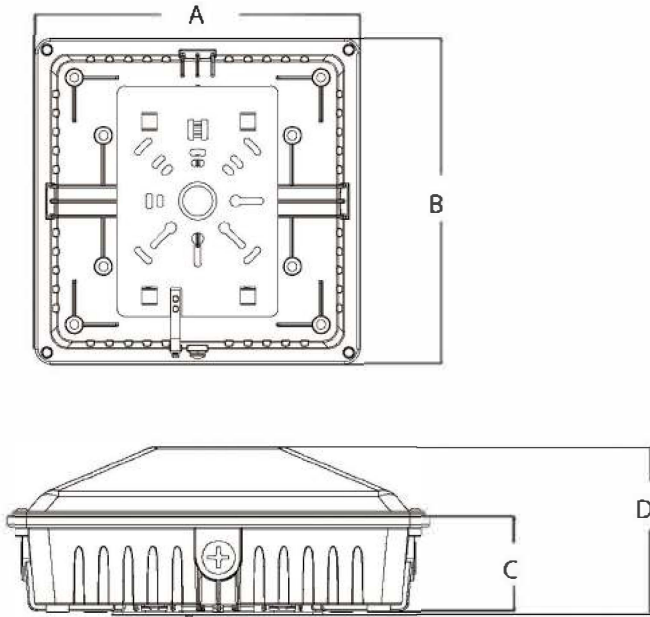


AVERAGE BEAM ANGLE
(50%): 121.0 DEG
USLBxxWIDAOK-R

UNIT:cd
 — C0/180 lc:1711
 60.3,60.8
 — C90/270 lc:1711
 61.1,59.9

LED GARAGE CANOPY LIGHT

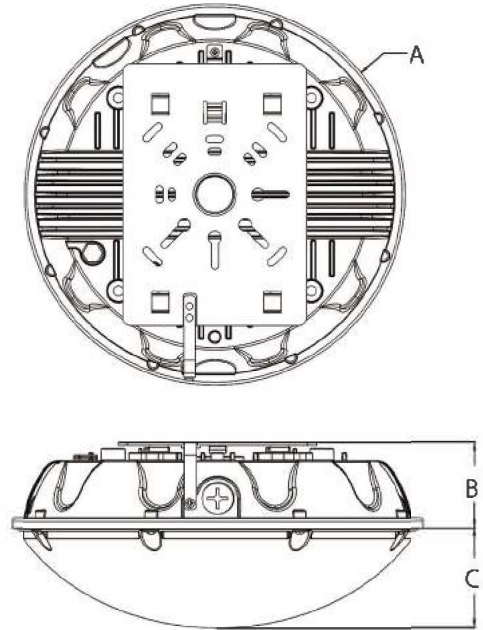
FIXTURE DIMENSIONS



A	B	C	D
25.8cm/10.17"	25.8cm/10.17"	5.8cm/2.29"	10.3cm/4.04"

Dimensions of 40W and 60W models

FIXTURE DIMENSIONS

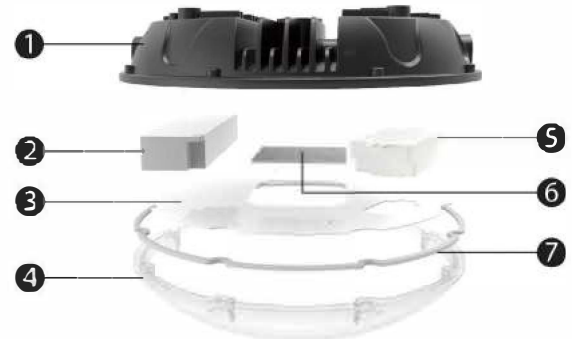


A	B	C
φ26.5cm/10.4"	5.55cm/2.2"	6.4cm/2.5"

Dimensions of 40W and 60W models

CONSTRUCTION FEATURES

1. Die casting fixture housing
2. Top level performance driver 1-10V dimmable
3. Reflector
4. Optical grade polycarbonate cover
5. Occupancy sensor
6. Light source:PCB board with top level performance LEDs system efficacy up to 130LM/w
7. Gasket



CONSTRUCTION FEATURES



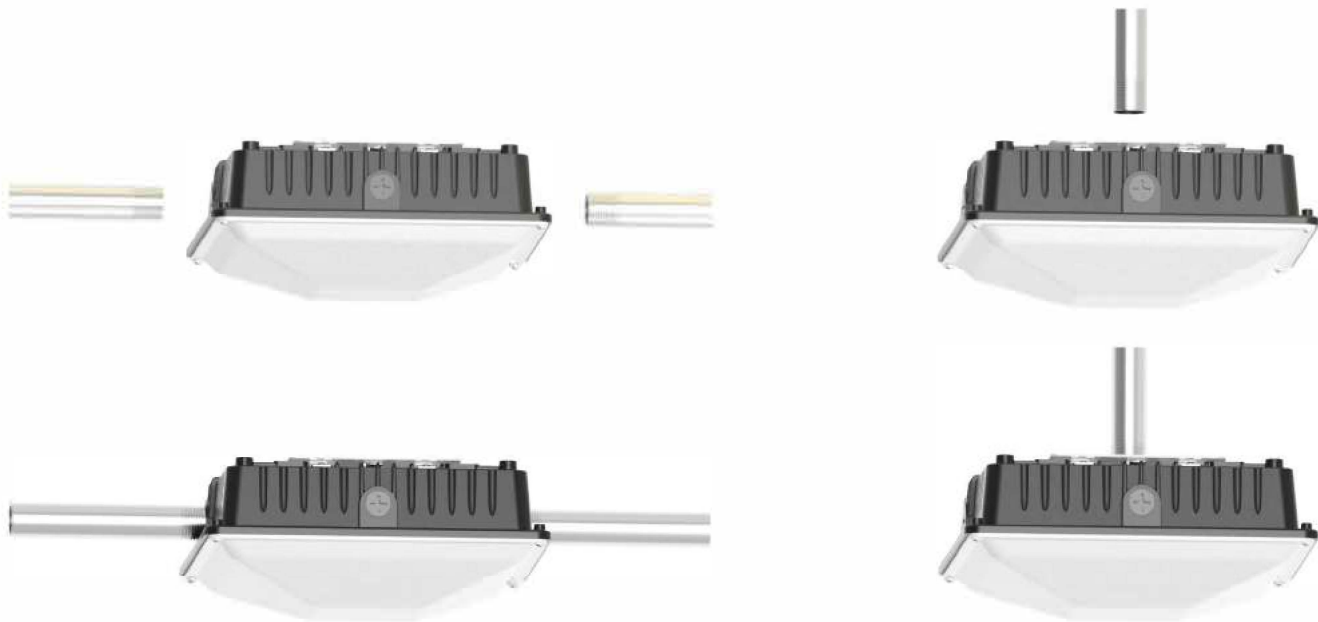
1. Installation adaptor plate
2. Top level performance light source system efficacy up to 130lm/w
3. Top level performance driver 1-10V dimmable
4. Optical grade polycarbonate cover
5. Die casting fixture body
6. Occupancy Sensor
7. Reflector

LED GARAGE CANOPY LIGHT

MULTIPLE APPLICATIONS OF USLBxxWIDAOK-R SERIES



MULTIPLE APPLICATIONS OF USLBxxWIDAOK SERIES



TECHNICAL SPECIFICATIONS

MODEL	WATTS	SHPAE	INITIAL DELIVERED LUMENS(LM)@5000K	EFFICACY(LM/W)	IP & IK	NW	MOUNTING TYPE
USLB40WIDAOK	40W	Square	4956.8	130.91	IP65&IK08	6.6lbs(3kg)	Ceiling/ Pendant Mount
USLB60WIDAOK	60W	Square	7611.47	137.16	IP65&IK08	6.6lbs(3kg)	
USLBR40WIDAOK-R	40W	Round	4956.8	130.91	IP65&IK08	6.6lbs(3kg)	
USLB60WIDAOK-R	60W	Round	7579.82	137.56	IP65&IK08	6.6lbs(3kg)	