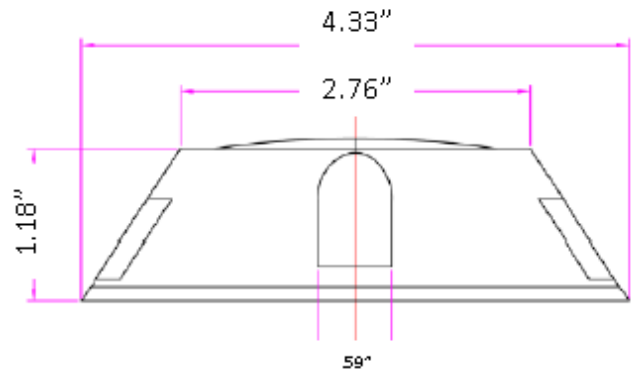
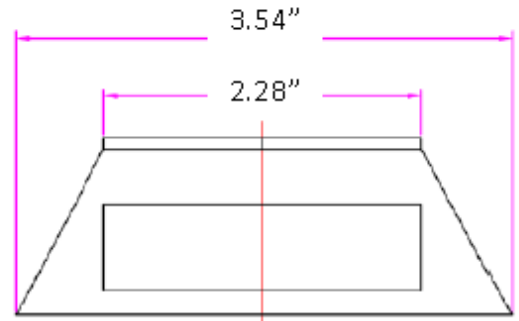


## SPECIFICATIONS AND FEATURES

### Solar Roadway Curb Marker

Product Type .....	Bi-Directional Surface Mount Solar Roadway, Curb and Step Marker
Manufacturer .....	SolaRight Wireless Lighting
Model Number.....	USRCM6SR
Price .....	\$120.00
Technology .....	Pseudocapacitor
Full Sun Charge Time .....	3 Hours
Overcast Charge Time .....	8 Hours
Discharge Time.....	Up to 16 Hours
Voltage/Bonding Requirements .....	2.3V/No Bonding
Snowplowable .....	No
Housing Material.....	Cast Aluminum
Lens Material.....	Polycarbonate
Seal Rating.....	IP68
Compressive Strength.....	282,824N/63,635LBF
Operating Temperature .....	-40°F to +158°F
LED Direction .....	Bi-Directional
Number of LEDs.....	6
Activation.....	Dusk to Dawn
Color Options.....	White, Red, Green, Blue, Yellow
Function Options.....	Steady, Slow Flash, Fast Flash
Warranty.....	5yr
Certifications.....	CE



**Assembled in USA! This Wireless Solar Light offers years of maintenance free, cost free service and add ambiance and safety to outdoor areas. Perfect for pathways, neighborhoods, shopping centers, courtyards, parks, roadways and much more.**

DISTRIBUTED BY:

