

USSLxxxWITAOK

LED Area / Parking Lot Light

Power: 75W, 110W, 150W, 180W, 225W, 265W
Up to 1000W Replacement



Overview

- Specialized designed for outdoor parking lot and wide area;
- Super slim design;
- System efficacy up to 130lm/w, lifespan >50000 hours
- Multiple brackets available;
- 5 years warranty on the entire luminaire;
- Microwave & daylight sensors available;
- High efficiency fishbone style heat dissipation structure.



P.S.: Method of attachment of the cable or cord such that any replacement can only be made by the manufacturer, his service agent or similarly qualified person.



**New environmental friendly package design
100% protection**



100% 72 hours aging test

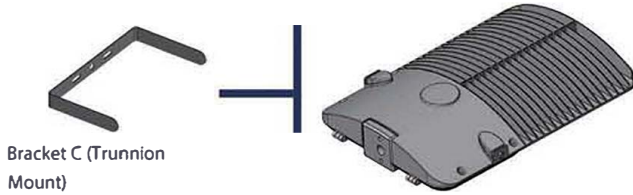
USSLxxxWITAOK Series Multiple Bracket Options



Bracket A (Slip Fitter)



Bracket B (Direct Arm Mount)



Bracket C (Trunnion Mount)



Bracket D (Yoke Mount)



Bracket E (Square Pole Mount)

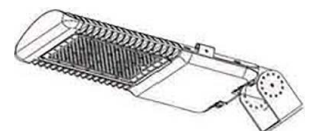
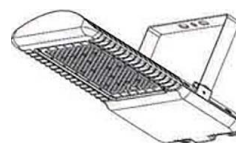
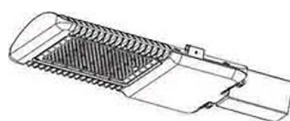
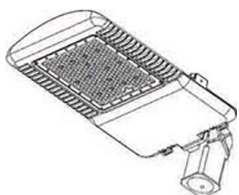
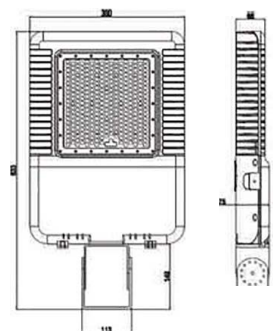
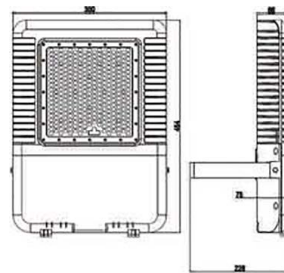
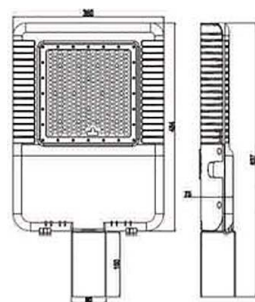
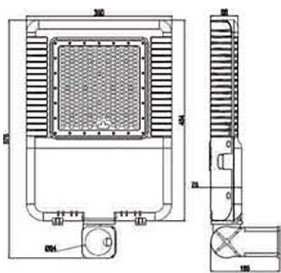


Bracket F (Round Pole Mount)

USSLxxxWITAOK Series
 LED Parking Lot Light
 LED Shoebox Light
 LED Area Light
 LED Street Light
 LED Billboard Light



Space for occupancy sensor (upside down)



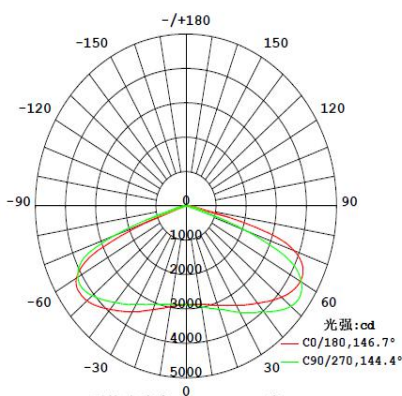
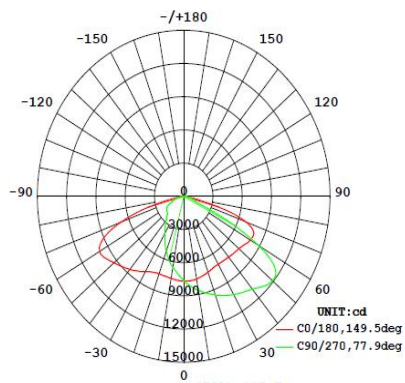
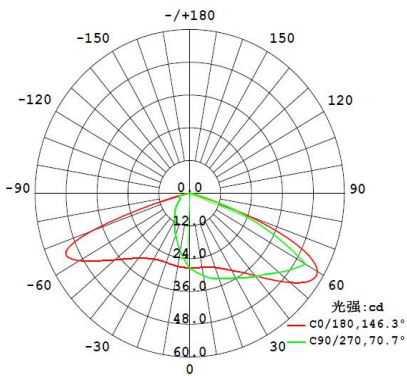
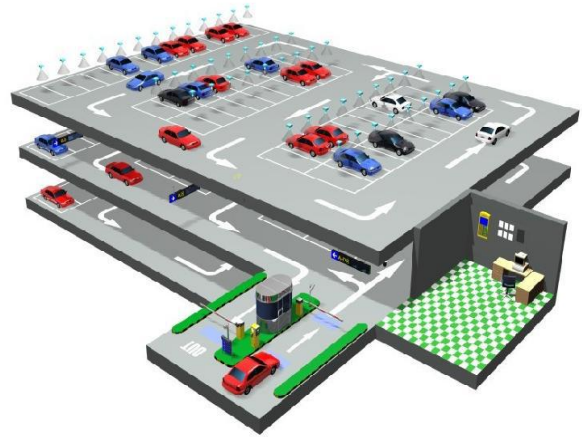
Style A Installation

Style B Installation

Style C Installation

Style D Installation

Type IV Light Distribution



USSLxxxWITAOK series parking lot light has Type III (150*75°), Type IV (130*70°) and Type V (150°) light distribution options. This lens is perfectly suitable for street light, parking lot lighting, and area lighting.

Type IV and Type V distribution is widely recognized as the standard option for parking lot. The light is evenly covered on the ground and just covered the area we want to illuminate.

Type III lens, Type III is suitable for street/high way lighting.



USSL75WITAOK

LED Parking Lot & Area Light, 150W HPS/MH Replacement



New

black / brown color housings optional
1-10V / PWM / Resistance dimming optional



Photocell

Specifications

Electrical Specifications

Model No.	USSL75WITAOK
Nominal Wattage	75W
Nominal Voltage	90-305VAC, 50/60Hz 347-480VAC, 50/60Hz
Maximum Current	AC 0.85A (max)

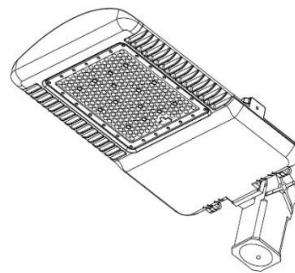
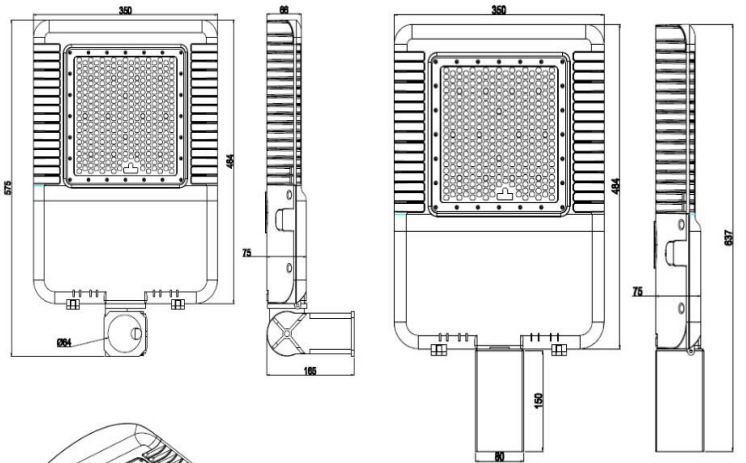
Power Factor (PF)	>0.95
Driver Efficiency	>92%

Photometric Specifications

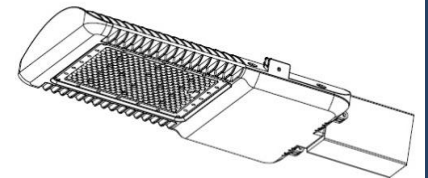
Luminous Flux	+Lumen tolerance +/- 5% 9,832-10,827lm
CRI	Ra>70(80 Optional)
CCT	3000k, 4000k, 5000k, 5700k, 6500k
Optional Beam Angle	Type III: 150*75° Type IV: 130*70° Type V: 150°

Mechanical Specifications

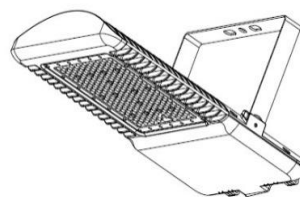
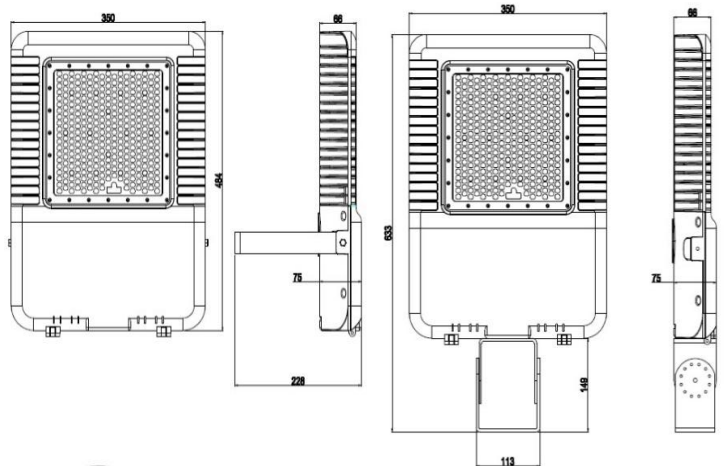
IP Rating	IP66
Lifetime	50000 hours - L70, @25°C
Heat Radiator	Anodized Aluminum
Lens	PC
Fixture Dimension	637*350*75mm 25.1*13.8*3 inches
Net Weight	6.75kg
Carton Dimension	690*370*150mm
Gross Weight	8.5kg



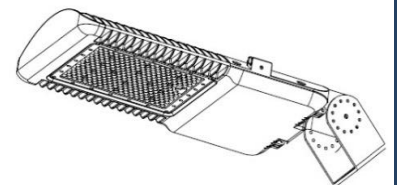
Installation Style A



Installation Style B



Installation Style C



Installation Style D

USSL110WITAOK

LED Parking Lot & Area Light, 250-300W HPS/MH Replacement



New



Photocell

black / brown color housings optional
1-10V / PWM / Resistance dimming optional

Specifications

Electrical Specifications

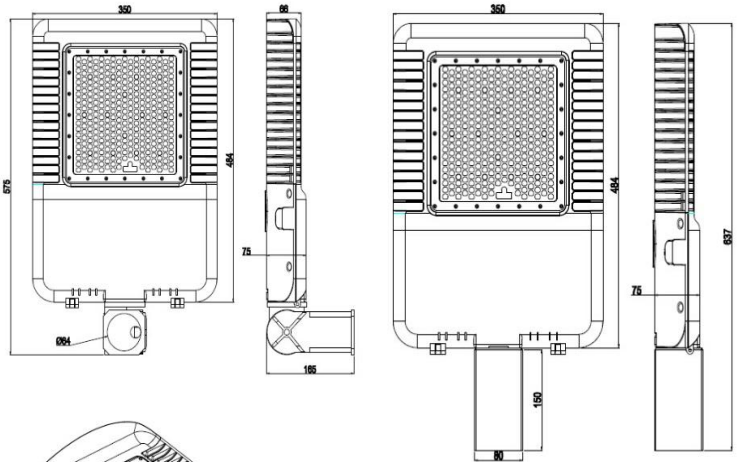
Model No.	USSL110WITAOK
Nominal Wattage	110W
Nominal Voltage	90-305VAC, 50/60Hz 347-480VAC, 50/60Hz
Maximum Current	AC 1.25A (max)
Power Factor (PF)	>0.95
Driver Efficiency	>93%

Photometric Specifications

Luminous Flux	+Lumen tolerance +/- 5% 14,045-15,169lm
CRI	Ra>70(80 Optional)
CCT	3000k, 4000k, 5000k, 5700k, 6500k
Optional Beam Angle	Type III: 150*75° Type IV: 130*70° Type V: 150°

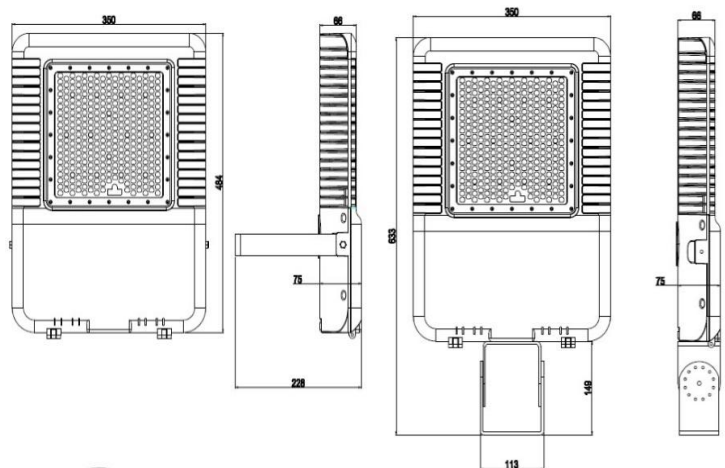
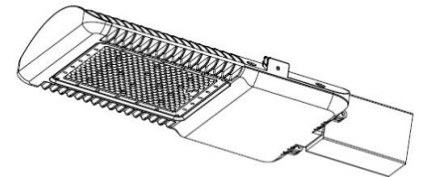
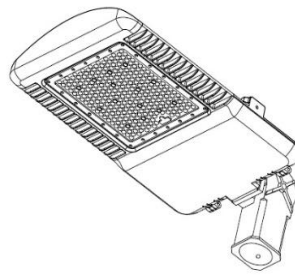
Mechanical Specifications

IP Rating	IP66
Lifetime	50000 hours - L70, @25°C
Heat Radiator	Anodized Aluminum
Lens	PC
Fixture Dimension	637*350*75mm 25.1*13.8*3 inches
Net Weight	6.75kg
Carton Dimension	690*370*150mm
Gross Weight	8.5kg



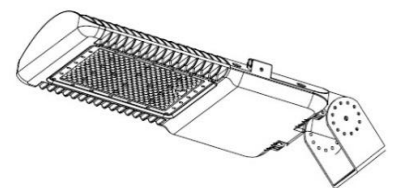
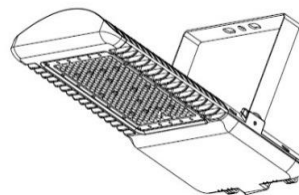
Installation Style A

Installation Style B



Installation Style C

Installation Style D



USSL150WITAOK

LED Parking Lot & Area Light, 350-400W HPS/MH Replacement



New



black / brown color housings optional
1-10V / PWM / Resistance dimming optional

Specifications

Electrical Specifications

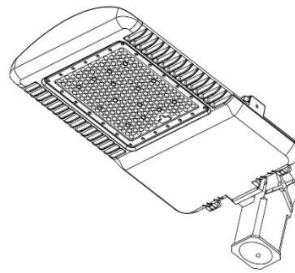
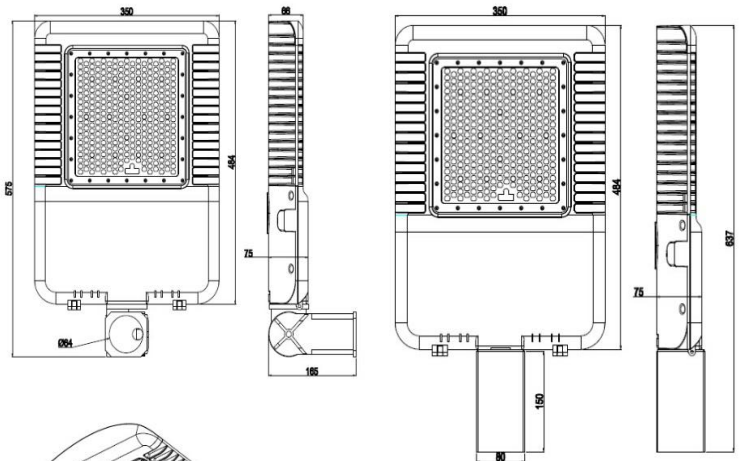
Model No.	USSL150WITAOK
Nominal Wattage	150W
Nominal Voltage	90-305VAC, 50/60Hz 347-480VAC, 50/60Hz
Maximum Current	AC 1.67A (max)
Power Factor (PF)	>0.95
Driver Efficiency	>94%

Photometric Specifications

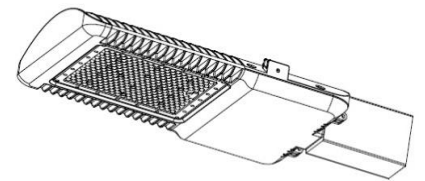
Luminous Flux	+Lumen tolerance +/- 5% 17,346-19,002lm
CRI	Ra>70(80 Optional)
CCT	3000k, 4000k, 5000k, 5700k, 6500k
Optional Beam Angle	Type III: 150*75° Type IV: 130*70° Type V: 150°

Mechanical Specifications

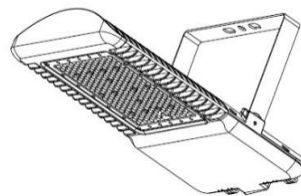
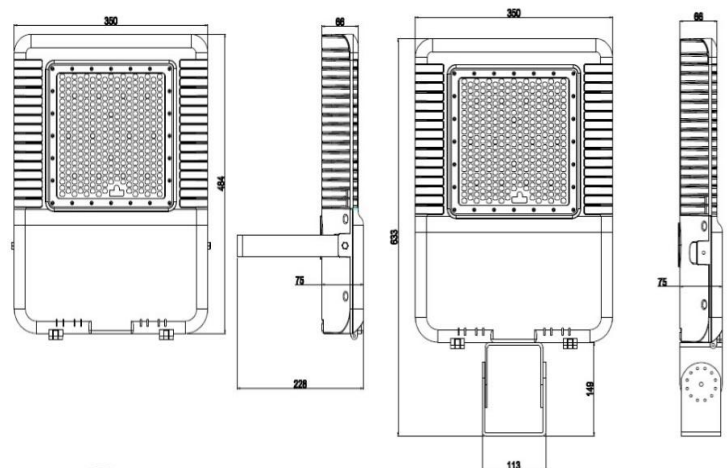
IP Rating	IP66
Lifetime	50000 hours - L70, @25°C
Heat Radiator	Anodized Aluminum
Lens	PC
Fixture Dimension	637*350*75mm 25.1*13.8*3 inches
Net Weight	6.75kg
Carton Dimension	690*370*150mm
Gross Weight	8.5kg



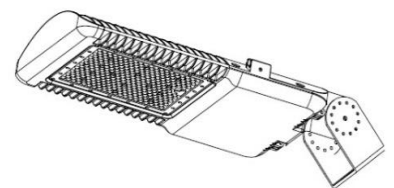
Installation Style A



Installation Style B



Installation Style C



Installation Style D

USSL180WITAOK

LED Parking Lot & Area Light, 400-500W HPS/MH Replacement



New



Photocell

black / brown color housings optional
1-10V / PWM / Resistance dimming optional

Specifications

Electrical Specifications

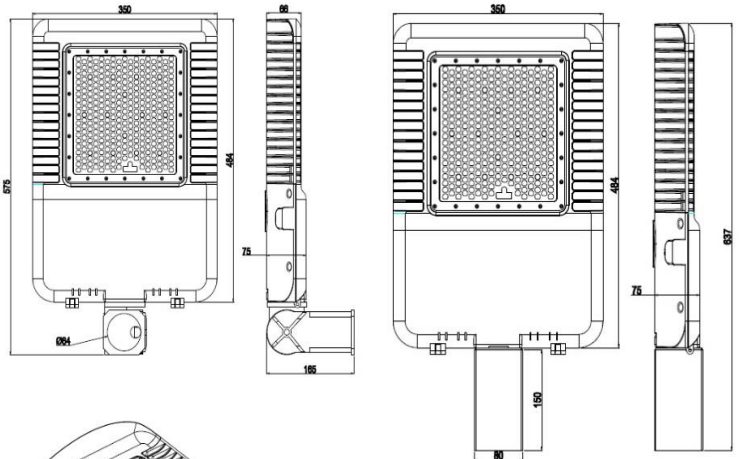
Model No.	USSL180WITAOK
Nominal Wattage	180W
Nominal Voltage	90-305VAC, 50/60Hz 347-480VAC, 50/60Hz
Maximum Current	AC 2.0A (max)
Power Factor (PF)	>0.95
Driver Efficiency	>94%

Photometric Specifications

Luminous Flux	+Lumen tolerance +/- 5% 24,369-26,012lm
CRI	Ra>70(80 Optional)
CCT	3000k, 4000k, 5000k, 5700k, 6500k
Optional Beam Angle	Type III: 150*75° Type IV: 130*70° Type V: 150°

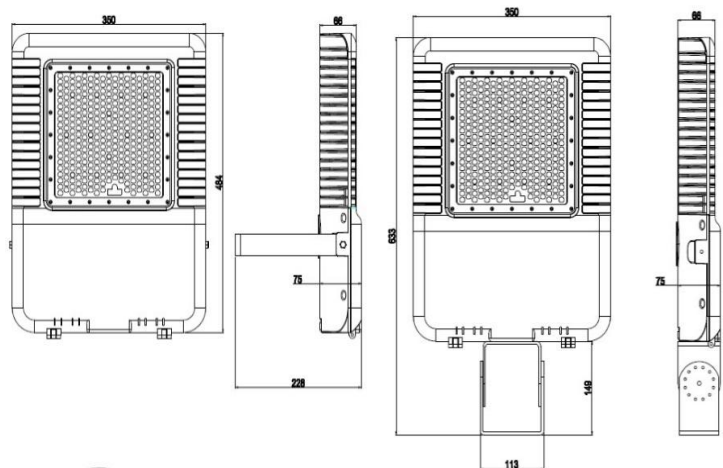
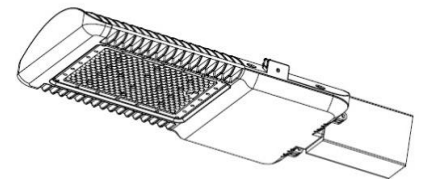
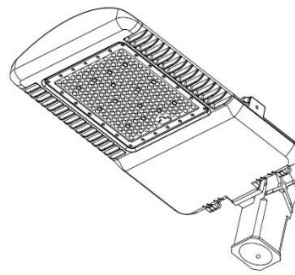
Mechanical Specifications

IP Rating	IP66
Lifetime	50000 hours - L70, @25°C
Heat Radiator	Anodized Aluminum
Lens	PC
Fixture Dimension	637*350*75mm 25.1*13.8*3 inches
Net Weight	9.5kg
Carton Dimension	750*430*150mm
Gross Weight	10.8kg



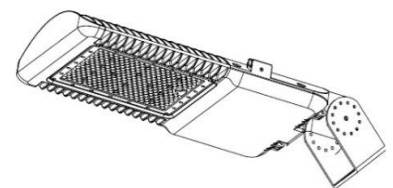
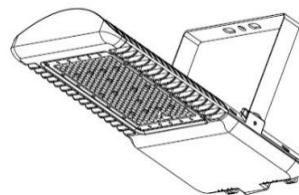
Installation Style A

Installation Style B



Installation Style C

Installation Style D



USSL225WITAOK

LED Parking Lot & Area Light, 480-720W HPS/MH Replacement



New



black / brown color housings optional
1-10V / PWM / Resistance dimming optional

Specifications

Electrical Specifications

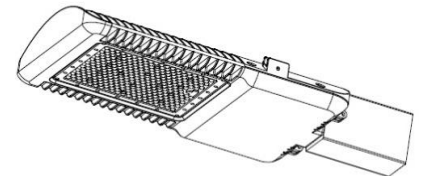
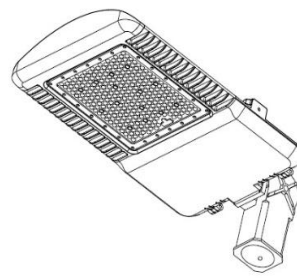
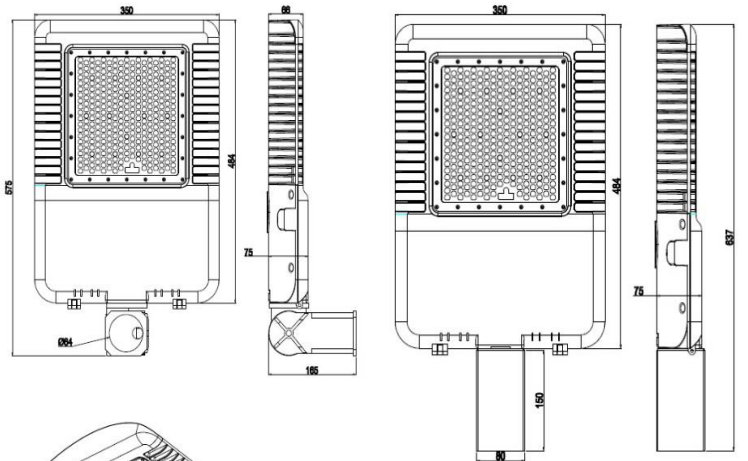
Model No.	USSL225WITAOK
Nominal Wattage	225W
Nominal Voltage	90-305VAC, 50/60Hz 347-480VAC, 50/60Hz
Maximum Current	AC 2.5A (max)
Power Factor (PF)	>0.95
Driver Efficiency	>95%

Photometric Specifications

Luminous Flux	+Lumen tolerance +/- 5% 28,615-30,759lm
CRI	Ra>70(80 Optional)
CCT	3000k, 4000k, 5000k, 5700k, 6500k
Optional Beam Angle	Type III: 150*75° Type IV: 130*70° Type V: 150°

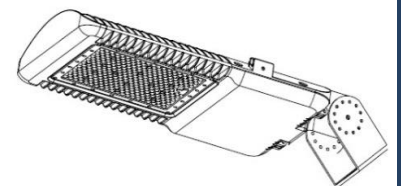
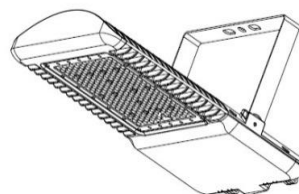
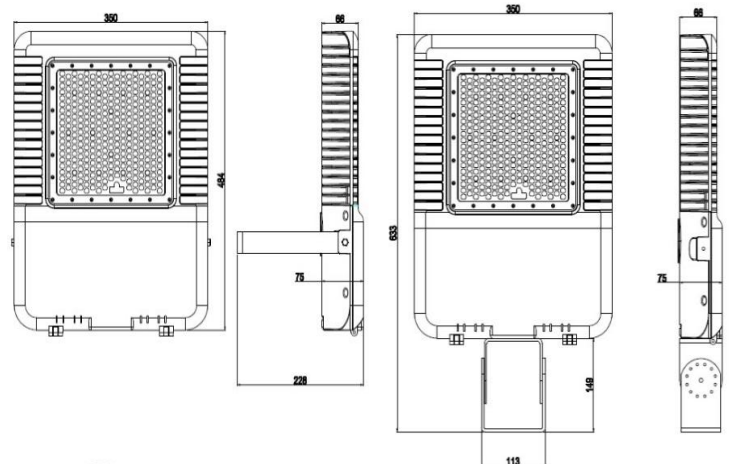
Mechanical Specifications

IP Rating	IP66
Lifetime	50000 hours - L70, @25°C
Heat Radiator	Anodized Aluminum
Lens	PC
Fixture Dimension	637*350*75mm 25.1*13.8*3 inches
Net Weight	9.5kg
Carton Dimension	750*430*150mm
Gross Weight	10.8kg



Installation Style A

Installation Style B



Installation Style C

Installation Style D

USSL265WITAOK

LED Parking Lot & Area Light, 1000W HPS/MH Replacement



New



Photocell

black / brown color housings optional
1-10V / PWM / Resistance dimming optional

Specifications

Electrical Specifications

Model No.	USSL265WITAOK
Nominal Wattage	265W
Nominal Voltage	90-305VAC, 50/60Hz 347-480VAC, 50/60Hz
Maximum Current	AC 2.95A (max)

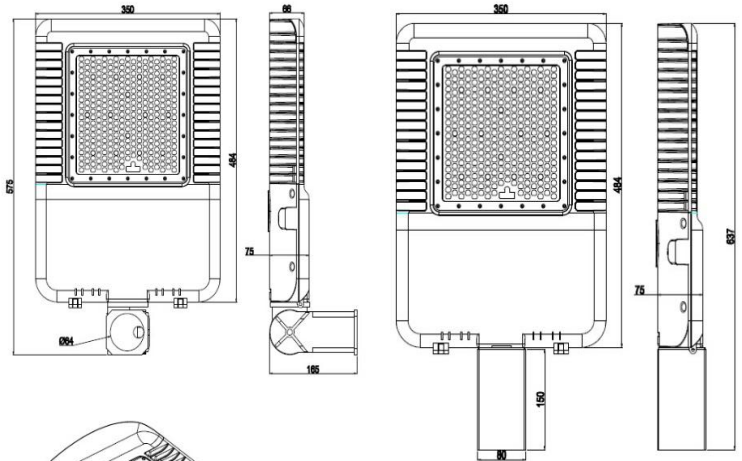
Power Factor (PF)	>0.95
Driver Efficiency	>95%

Photometric Specifications

Luminous Flux	+Lumen tolerance +/- 5% 33,450-35,687lm
CRI	Ra>70(80 Optional)
CCT	3000k, 4000k, 5000k, 5700k, 6500k
Optional Beam Angle	Type III: 150*75° Type IV: 130*70° Type V: 150°

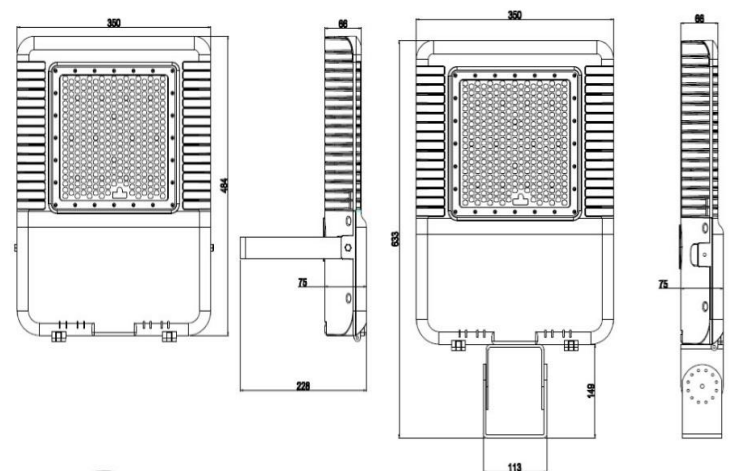
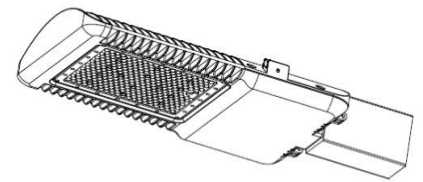
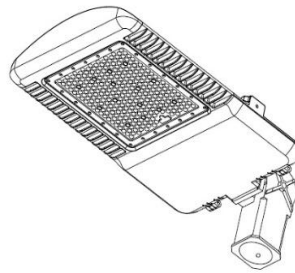
Mechanical Specifications

IP Rating	IP66
Lifetime	50000 hours - L70, @25°C
Heat Radiator	Anodized Aluminum
Lens	PC
Fixture Dimension	637*350*75mm 25.1*13.8*3 inches
Net Weight	9.5kg
Carton Dimension	750*430*150mm
Gross Weight	10.8kg



Installation Style A

Installation Style B



Installation Style C

Installation Style D

