

USxHBLsxxxWPL Series Smart LED Linear High Bay



COMMERCIAL LED EXPERTS



OVERVIEW

The USxHBLsxxxWPL series is Smart luminaire integrated with controls and sensor (occupancy by microwave, photo & dimming) to reduce energy costs and help extend the life of the fixture. It is a high performance, quality, configurable LED luminaire that is an ideal one for one replacement of conventional high bay systems such as HID and fluorescent. Applications include warehousing, light manufacturing and other large indoor spaces with mounting heights up to 50'.

FEATURES

Limited Warranty: 7 Years
 Efficacy: up to 135 LPW
 Lumen Output: 14,700 56,000 LM
 Wattage: 110 420 W



Models

Model	Length (FT)	Watts(W)	Lumens (LM)	Efficacy (LPW)
US2HBLs110WPL	2	110	14700	134
US2HBLs162WPL	2	162	21900	135
US2HBLs223WPL	2	223	28900	130
US4HBLs223WPL	4	223	29600	133
US4HBLs321WPL	4	321	42700	133
US4HBLs420WPL	4	420	56000	133

*Lumen Output based on universal voltage models at 5000K. Also available in Color Temperatures of 4000K and 5700K.

Technical Specifications

Warranty

uSaveLED warrants these LED products will be free from defects in materials and workmanship for a period of seven (7) years from the date of delivery to the end user, including coverage of light output, color stability, driver performance and fixture finish. Please refer to our full warranty.

Qualifications

ETL Listed

IESNA LM79 & LM-80 Testing:

LED luminaires have been tested by an independent laboratory in accordance with IESNA LM 79 and LM 80.

DLC Qualification:

Selected models of this product are on the Design Lights Consortium (DLC) Qualified Products List and are eligible for rebates from DLC Member Utilities. To view our DLC qualified products, please consult the DLC Qualified Products List at www.designlights.org/qpl

Construction

IP Rating:

Suitable for Damp Location, TYPE IC

Ambient Temperature:

Suitable for 45° C (113° F) ambient temperature

Cold Weather Starting:

The minimum starting temperature is 4 F°/ 20° C

Housing:

Durable cold rolled steel housing provides strength and uniformity. Luminaire is pre painted to enhanced smooth finish and frosted Lens.

Mounting Methods:

- Chain Kit (hook included, chains not included)
- Aircraft Cable Kit (optional)
- Surface Mount (optional)
- Pendant Hanger (optional)

Green Technology:

Mercury and UV free, and RoHS compliant. Polyester powder coat finish formulated without the use of VOC or toxic heavy metals.

Lens:

Frosted or Clear

Electrical

Drivers:

0 10V Dimmable.
 Input Voltage: Universal 100 277V, 50 60 Hz;
 Optional 480v
 Power Factor : > 0.95
 Operating Temperature: 4°F (20°C) to 113°F(45°C)

LED Characteristics

Lifespan:

50,000 hour LED lifespan based on IES LM 80 results and TM 21 calculations.

LEDs:

Multi chip, high output, long life LEDs

Color Rendering Index:

>82

Color Temperatures:

4000K, 4500K, 5000K

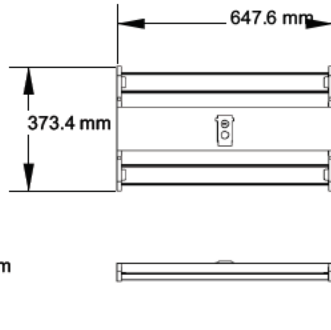
Finish

Our environmentally friendly polyester powder coating are formulated from high durability and long lasting color, and contains no VOC or toxic heavy metals.

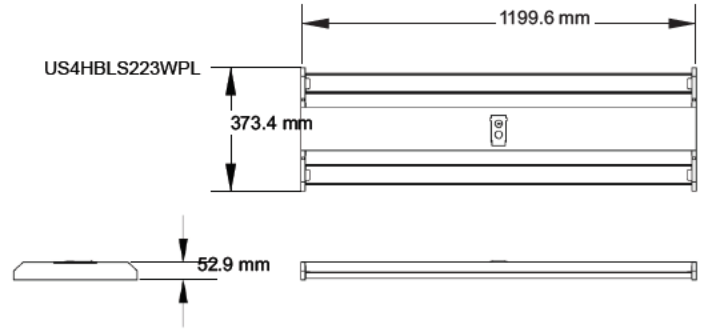
USxHBLsxxxWPL Series Smart LED Linear High Bay

Dimensions

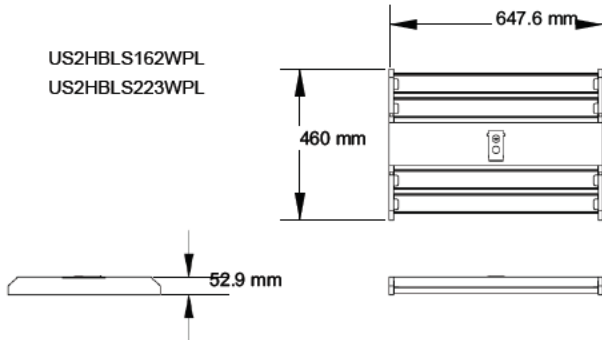
US2HBLs110WPL



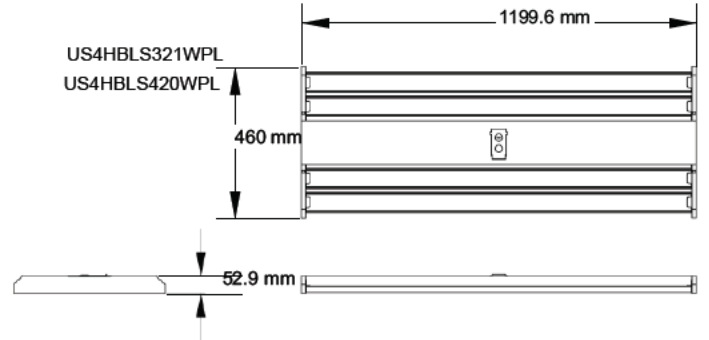
US4HBLs223WPL



US2HBLs162WPL
US2HBLs223WPL

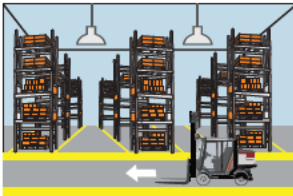


US4HBLs321WPL
US4HBLs420WPL

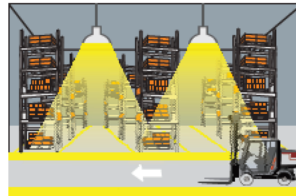


Smart LED High Bay - Integrated with Microwave Occupancy/Photo Sensor

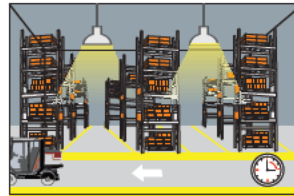
USxHBLsxxxWPL features an innovative and programmable motion detector with HF system 5.8GHz. Motion can be detected through plastic, glass and thin non-metal materials. It can be mounted as high as 50ft. The sensors allow energy savings without compromising comfort. With its signature 3-step dimming function, it is perfect for use in areas that require a light change notice before totally switching off the light. Daylight (on/off) sensor is integrated for maximum energy saving.



With sufficient ambient light, the sensor will not turn on the lighting fixture.



With insufficient ambient light, the sensor will turn on the lighting fixture when motion is detected.



After hold time, the sensor dims the fixture to a low light level if no new motion triggers.



After stand-by period, the sensor turns off the fixture if no motion is detected in its detection zone.

Hold Time adjustable: 5s / 30s / 90s / 3min / 20min / infinity
Daylight (ambient light threshold) adjustable: 2lux / 5lux / 10lux / 25 lux / 50lux / 100lux / Disable
Stand-by period adjustable: 0s / 5s / 5min / 10min / 30min / 1h / infinity
Stand-by dimming level adjustable: 10% / 20% / 30% / 50%



112 in. Aircraft Cable Pair used for mounting the FLHS Linear High Bay onto ceiling beams.



Pendant Mount is installed on the top side of the luminaire and is used to run the power supply cord through a 1/2" conduit which is then fastened on to the top side of the mount.



40 in. Chain Pair is used for mounting the Linear High Bay onto ceiling beams, hooks, or other types of mounting methods.